

VERSATILE

# collect plus

Wardrobes

Cloakrooms

Walk-in wardrobes

Room dividers

Display cabinets

**Design: interlübke**

collect plus



The concept

Timeless, innovative, extraordinarily well-designed and creating a feeling of cosiness which is characterised by clarity and aesthetics. This philosophy is always the guiding principle when designing interlücke furniture. The collect plus cabinet installation concept is the quintessence of this. With self-evident functionality, achieved through conceptual perfection, collect plus merges seamlessly with its surroundings and yet it is as design and tone-setting as a status symbol. collect plus - a statement for fine interiors.

What sets collect plus apart:

- Universally applicable for bedrooms, living areas, dining areas and cloakroom areas
- Infinite possibilities of individual combinations (cabinets, recesses, superstructures, display cabinets, room dividers, shelf systems ...)
- Heights, widths and depths can be reduced free of charge

This is guaranteed by:

- 5 heights, 4 widths and 3 depths + heights, widths and depths can be reduced at no extra surcharge
- 5 front versions
- 3 door versions: hinged, sliding and folding
- 7 door finishes – matt lacquer, clear glass, translucent glass, grey glass, mirror, wood, fabric
- More than 50 colours / surface finishes + individual lacquer + customised lacquer
- Interior colours available in all matt lacquers
- 13 handles / door opening options
- Various pull-outs for laundry, shoes and pull-out hanging rails
- Interior drawers with fronts in glass, wood or matt lacquered in 3 different heights and 2 depths
- 3 non-slip inserts for interior and exterior drawers
- Intermediate panels for dividing cabinet elements for various functions
- Customised products enabling you to adapt collect plus to any room

The interlücke perforated rails in the collect plus interiors are truly unique. Optimum use of storage space is ensured by an adjustment distance of 2.5 cm, which is possible at any time and without causing any damage.

- adjusted in height
- retrofitted

Design: interlücke



Range description

collect plus: one range  
infinite possibilities \_\_\_\_\_ 4

Front versions

Design and concept \_\_\_\_\_ 6

Front version setup \_\_\_\_\_ 8

Front version inside \_\_\_\_\_ 10

Front version inline \_\_\_\_\_ 11

Front version fineline \_\_\_\_\_ 12

Front version glide \_\_\_\_\_ 13

Elements with  
hinged and folding doors \_\_\_\_\_ 14

Wardrobe with sliding doors \_\_\_\_\_ 16

Individual corner solutions \_\_\_\_\_ 18

Corner solution with wardrobe  
element for folding doors \_\_\_\_\_ 19

Corner solution with corner panel  
for hinged and folding doors \_\_\_\_\_ 20

Corner solution with front  
panel and spacing strips for  
hinged and folding doors \_\_\_\_\_ 21

Side panels \_\_\_\_\_ 22

Scribing panels \_\_\_\_\_ 23

Room dividers and doorways \_\_\_\_\_ 24

Shelf systems \_\_\_\_\_ 25

Interior compartments \_\_\_\_\_ 26

Intermediate panels \_\_\_\_\_ 29

Interior lighting for wardrobe  
elements and display cabinets \_\_\_\_\_ 30

Display cabinet modules \_\_\_\_\_ 32

Display cabinet modules  
with back panel \_\_\_\_\_ 33

Display cabinet modules  
with standard back panel \_\_\_\_\_ 34

Recesses \_\_\_\_\_ 36

Recess variants without  
superstructures \_\_\_\_\_ 38

Recess variants with  
superstructures \_\_\_\_\_ 39

Sideboards \_\_\_\_\_ 40

Wall panels \_\_\_\_\_ 42

collect plus custom-made products \_\_\_\_\_ 47



# collect plus

One range – infinite possibilities



As a cloakroom for the hallway



Superstructures for beds or doors



Customised products



As a corner wardrobe or cabinet for bedrooms or other living areas



Exterior drawers for front design



As a wall combination with display cabinet and recess in dining or living rooms



In living rooms with a recess for the TV



As room dividers instead of dividing dry walls



For walk-in wardrobes with open and closed areas



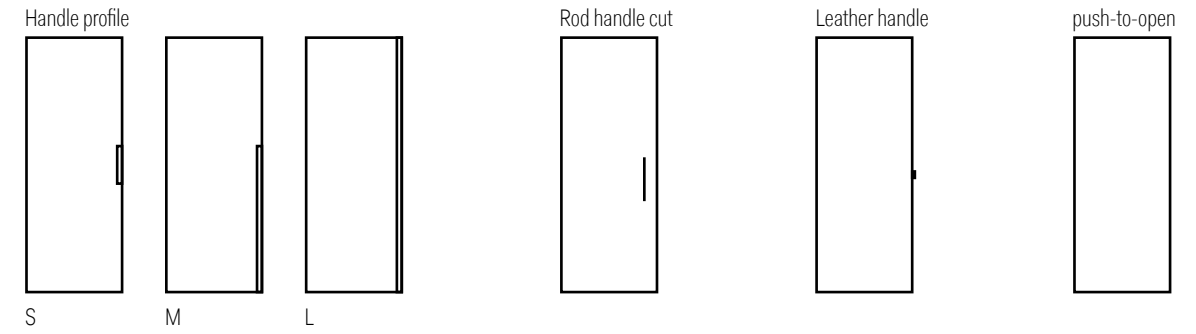
As a wardrobe in combination with display cabinet doors and closed fronts



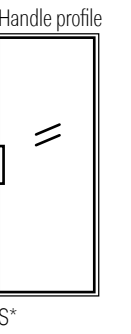
Combinations of elements of various heights

# Front versions - Design and concept

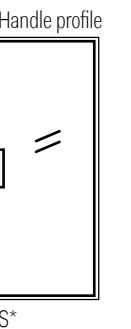
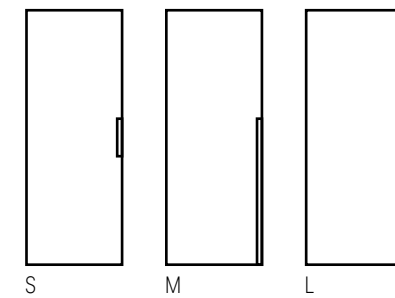
## Front version setup - attached and inserted handles



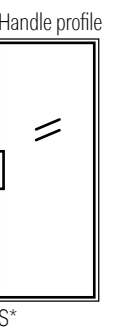
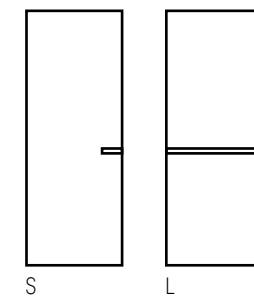
## Display cabinet



## Front version inside - vertical handles integrated on the side



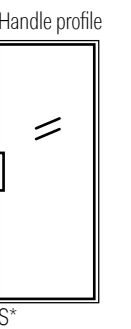
## Front version inline - horizontal integrated handles



## Front version fineline - metal strips on the side with handle profile



The metal strips on the side and the handle profile of front version fineline are formally coordinated to the display cabinet frame with handle profile.



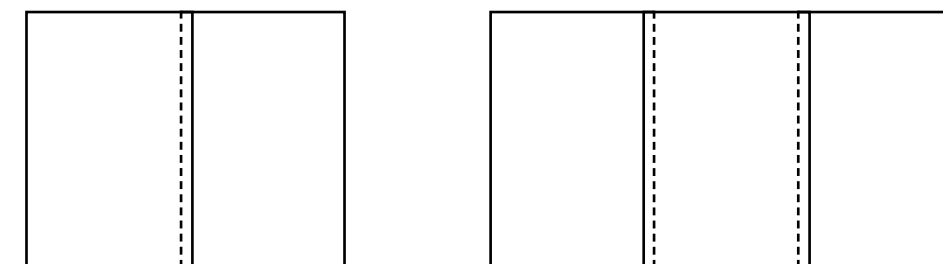
## Front versions and handles

### Five different front versions for individual design

Above all else, it is the variety of front versions which makes collect plus such a versatile concept.

A distinction is made between the collect plus front versions: attached and inserted handles for setup, vertical recessed grips integrated on the side for inside, horizontal integrated handles for inline, handle strips for sliding doors for glide. The front version fineline with metal strips and handle profile on the side is formally coordinated to the design with display cabinets.

## Front version glide - sliding doors with handle strips on the side



# Front version setup

## Front version setup - attached and inserted handles



Front version setup can also be used for planning room dividers and doorways.

**Rod handle cut**  
Design: Hanne Willmann  
for front in matt lacquer and wood

Position: on the right-hand door as standard, on both sides at extra cost. The handle position can be changed in a height grid of 20 cm  
Colour: available in all matt and metal lacquers

Height: 40 cm  
Width: Ø 1.2 cm  
Depth: 2.5 cm



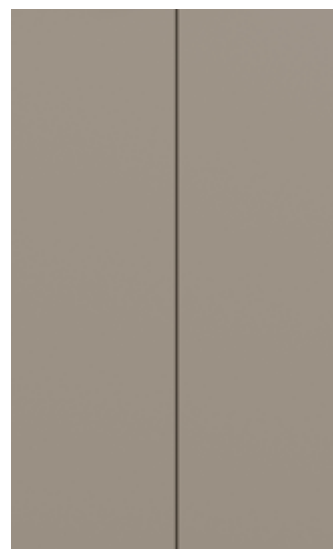
**Handle profiles**  
for front in matt lacquer and wood  
Position: only possible on one side of the right-hand door for double doors  
Colour: in all matt and metal lacquers

**Handle profile S**  
Height: 20 cm  
Width: 0.3 cm  
Depth: 2.8 cm  
The handle position can be changed in a grid height of 20 cm.

**Handle profile M**  
Height: 100 cm  
Width: 0.3 cm  
Depth: 2.8 cm  
The length of the handle can be changed in the grid height of 20 cm.



**Leather handle**  
for fronts in matt lacquer and wood  
Position: only possible on one side of the right-hand door for double doors  
The handle position can be changed in a height grid of 20 cm.  
Colour: black or brown  
Height: 5 cm  
Width: 0.8 cm  
Depth: 2 cm



**push-to-open**  
for all front versions  
Position: push-to-open fitting on right and left door of double doors  
Not for folding doors and doorways.



**Handle profile L**  
Height: front height  
Width: 0.3 cm  
Depth: 2.8 cm

## Front version inside



### Front version inside handles integrated on the side for fronts in matt lacquer

Position: only possible on one side of the  
right-hand door for double doors  
Colour: available in all matt and metal  
lacquers



### Handle profile S

Height: 20 cm  
Width: 0.2 cm  
The handle position can be changed in a  
grid height of 20 cm.

### Handle profile M

Height: 100 cm  
Width: 0.2 cm  
The length of the handle can be changed in  
the grid height of 20 cm.

### Handle profile L

Height: front height  
Width: 0.2 cm

## Front version inline



### Front version inline horizontal integrated handles for fronts in matt lacquer

Position: only possible on right-hand door of  
double doors  
The handle position can be  
changed in a height grid of 20 cm.

Colour: available in all matt and metal  
lacquers

### inline S

Height: 2.3 cm  
Width: 7 cm

### inline L

Height: 2.3 cm  
Width: front width



By combining inline S and inline L, you can  
design the fronts with various joint designs.

Outer hinged doors with handles on the  
outside can only be planned in combination  
with side panels.



## Front version fineline



**Front version fineline  
metal strips on the side with handle  
profile**  
for all front versions

**vertical aluminium strips**  
Position: only possible on the right-hand  
door of double doors  
Colour: in all matt and metal lacquers

Height: front height  
Width: 0.2 cm

### Handle profile S

Height: 20 cm  
Width: 0.3 cm  
Depth: 2.8 cm

Colour: colour-coordinated to the vertical  
aluminium strips

**Front version fineline can  
also be used for planning  
room dividers and doorways.**

The metal strips with handle profile corre-  
spond to the side recesses of the display  
cabinets .



## Front version glide



**Front version glide  
Sliding doors with handle strips on  
the side**  
for fronts in matt lacquer, wood, mirror,  
fabric

Position: the middle sliding door of the  
3-door sliding door wardrobe has handle  
strips on both sides and can be moved left  
and right.

Colour: in all matt and metal lacquers

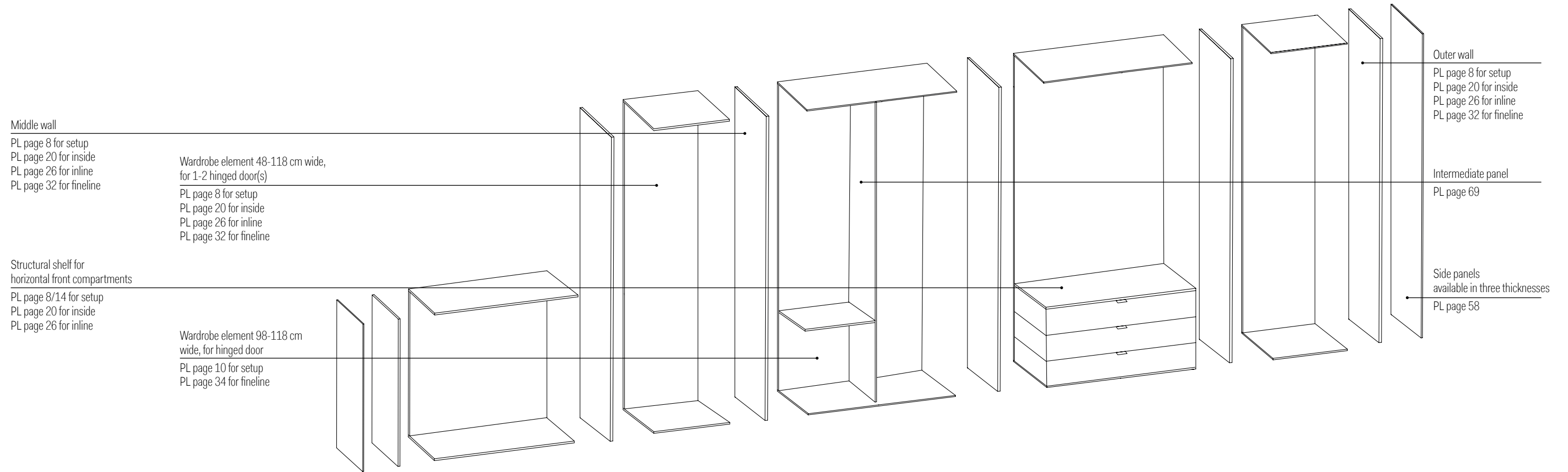
### Handle strip

Height: front height  
Width: 0.6 cm  
Depth: 6.2 cm for door in front  
Depth: 3.3 cm for door behind



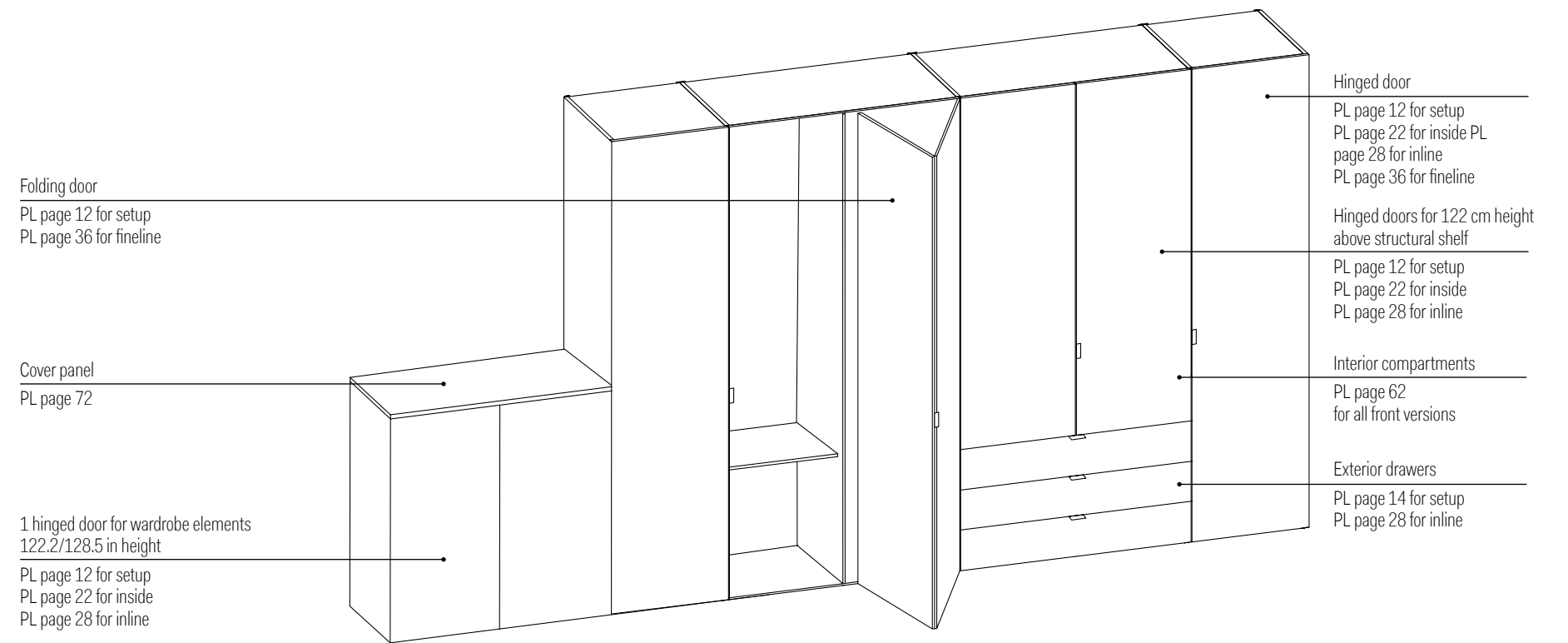
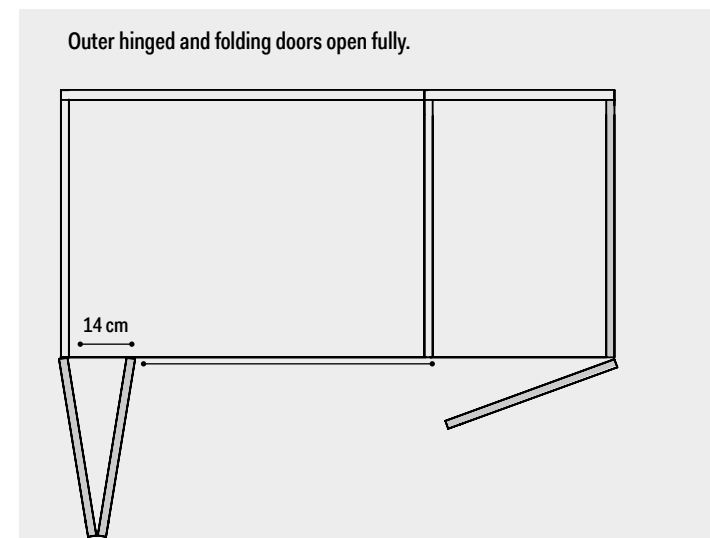
# Elements with hinged and folding doors

For the front versions setup, inside, inline and fineline



## General product information

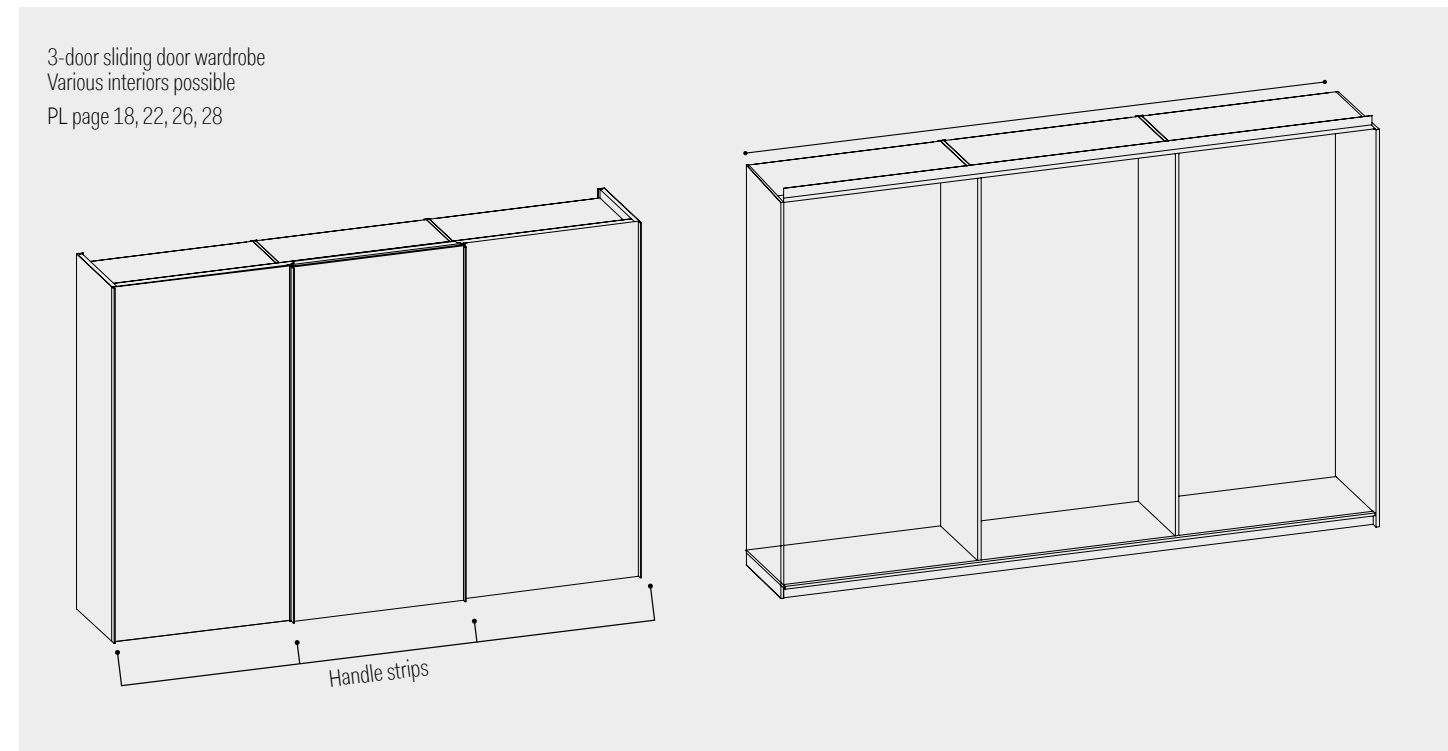
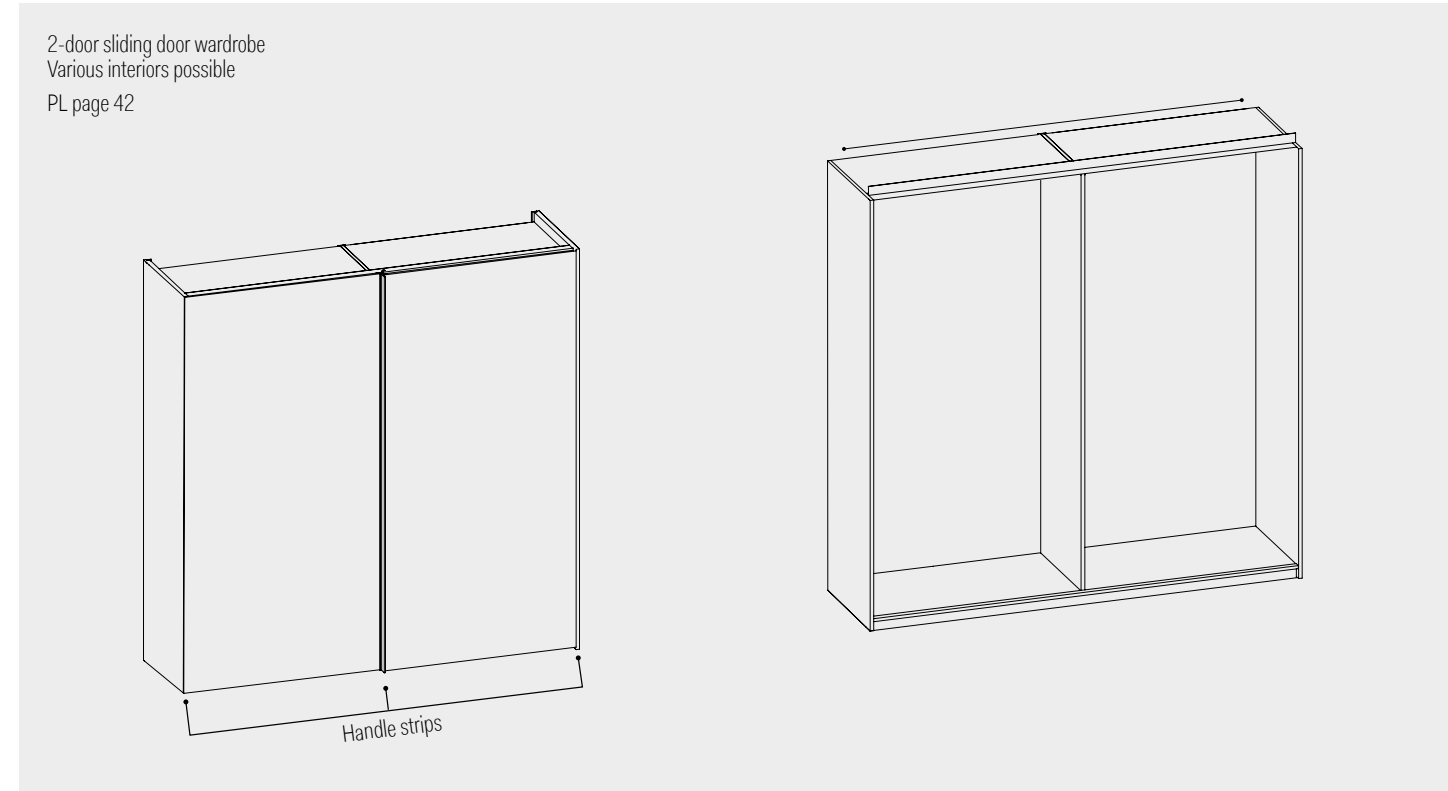
- Five wardrobe heights 122 / 231 / 243 / 267 / 297 cm
- Three wardrobe depths 35 / 50 / 66 cm
- Widths 50 / 60 / 100 / 120 cm
- Minimum distance from ceiling: 2 cm for hinged and folding doors, 3.5 cm for sliding doors
- Minimum distance from wall: 1 cm
- As a general rule, the wardrobe should be secured to the wall or ceiling.
- The outer and middle panels feature an integrated height adjuster for adjusting by up to 2 cm on uneven floors.
- The outer and middle walls feature a perforated rail system in the interiors for adjustments of up to 2.5 cm.
- Heights, widths and depths can be reduced free of charge.





## 2- and 3-door sliding door wardrobe

For the front version glide

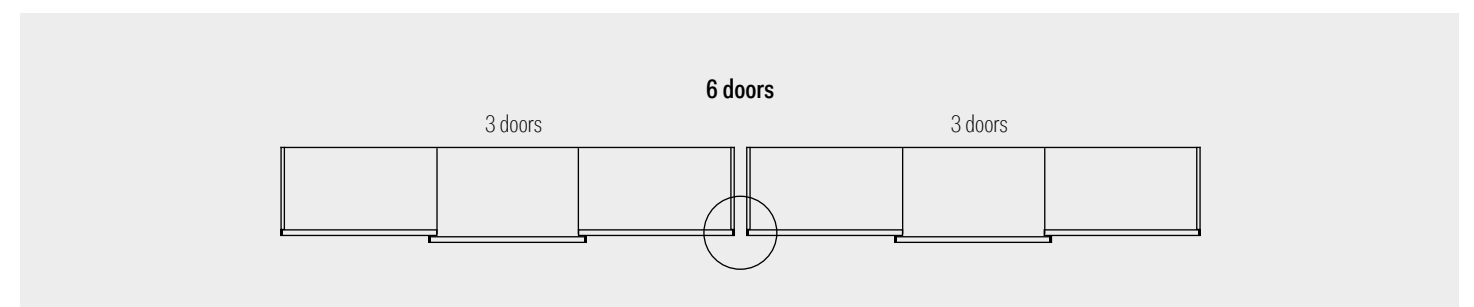
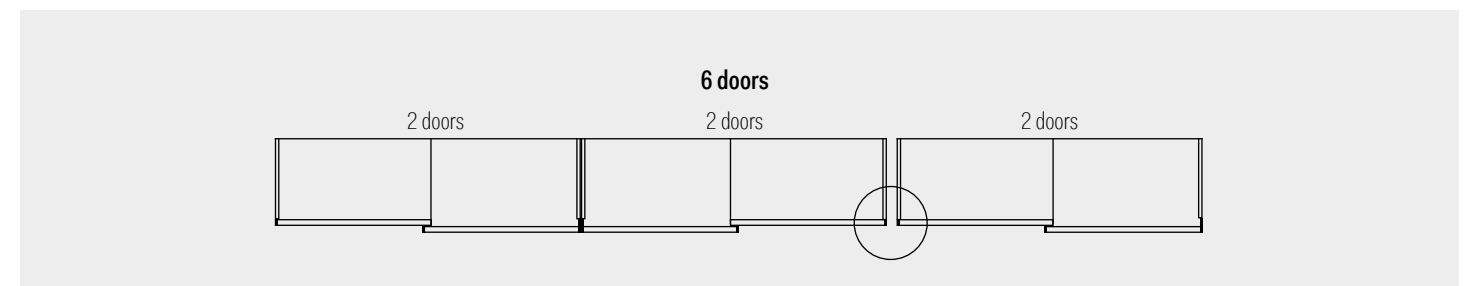
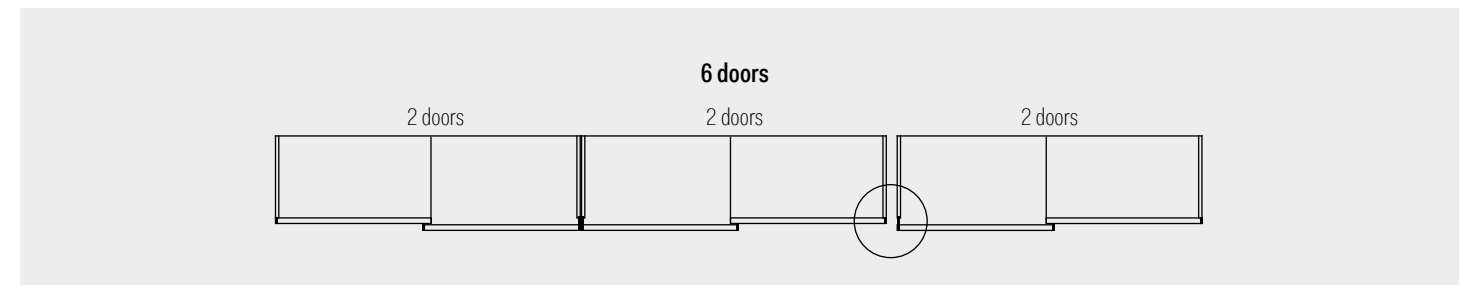
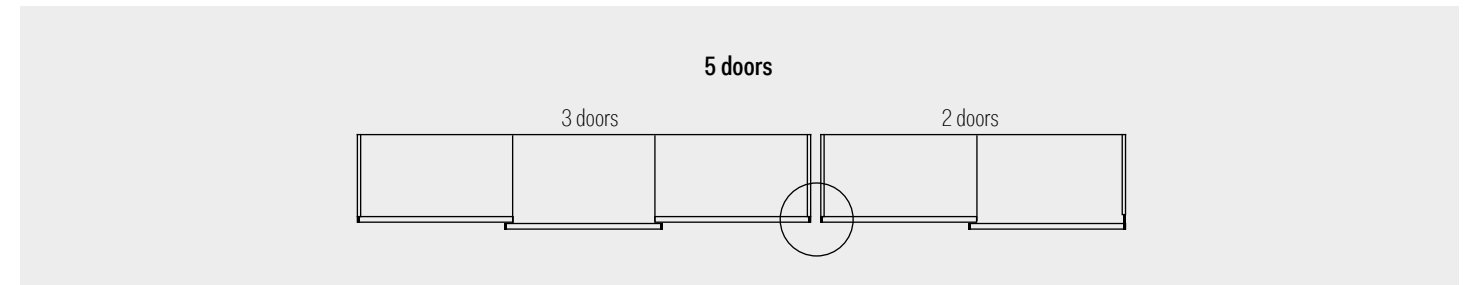
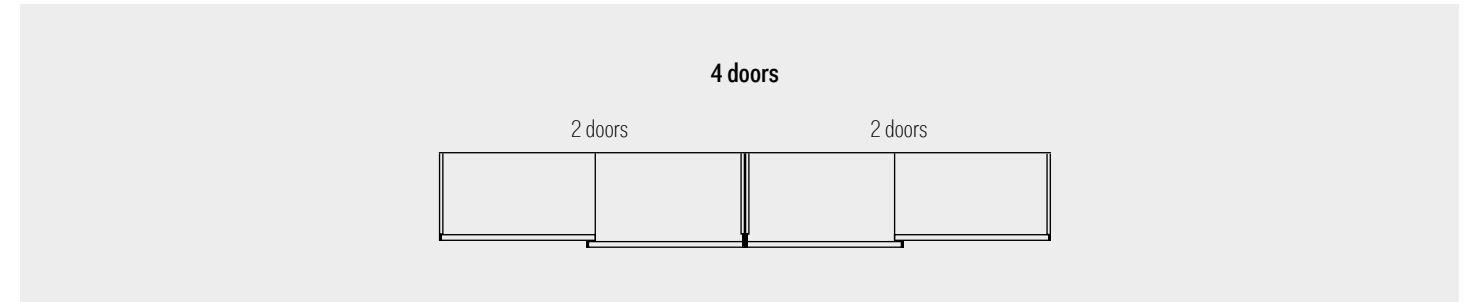


- Sliding doors are in front of each other when closed.
- For 2-door wardrobes with sliding doors, indicate whether the left or right door is to be in front.
- Wardrobe elements with two doors 202 / 242 cm wide

- Wardrobe elements with three doors 302 / 362 cm wide
- Please indicate the carcass colour, front colour/material and the colour of the handle strips.
- Minimum distance from ceiling: 3.5 cm
- Minimum distance from wall: 1 cm
- Wardrobes with sliding doors cannot be planned with side panels and shelves.

## Wardrobe with sliding doors

Possible combinations of 2- and 3-door elements



 Spacer required, automatically included in delivery

## Individual corner solutions

## Corner solution with wardrobe element for folding doors

For the front versions setup and fineline

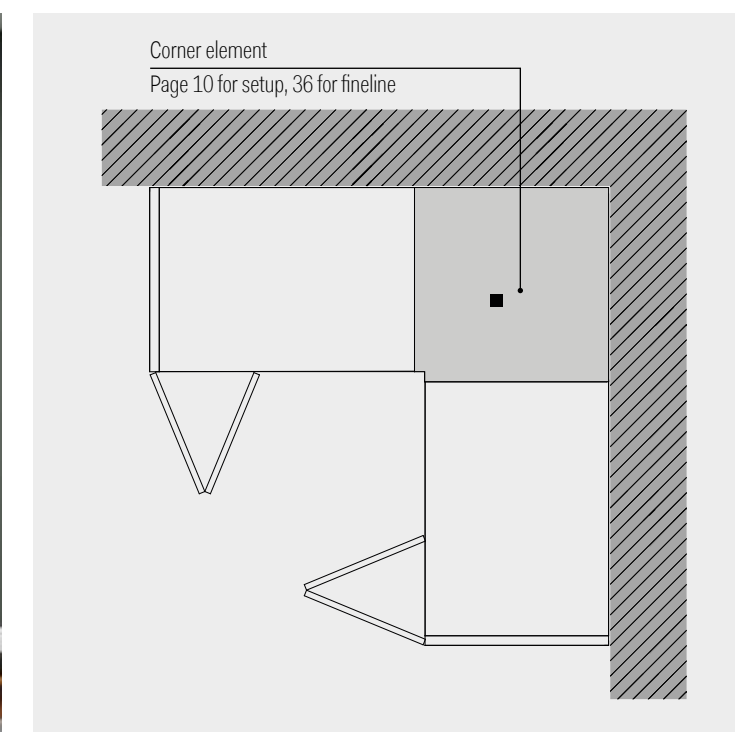
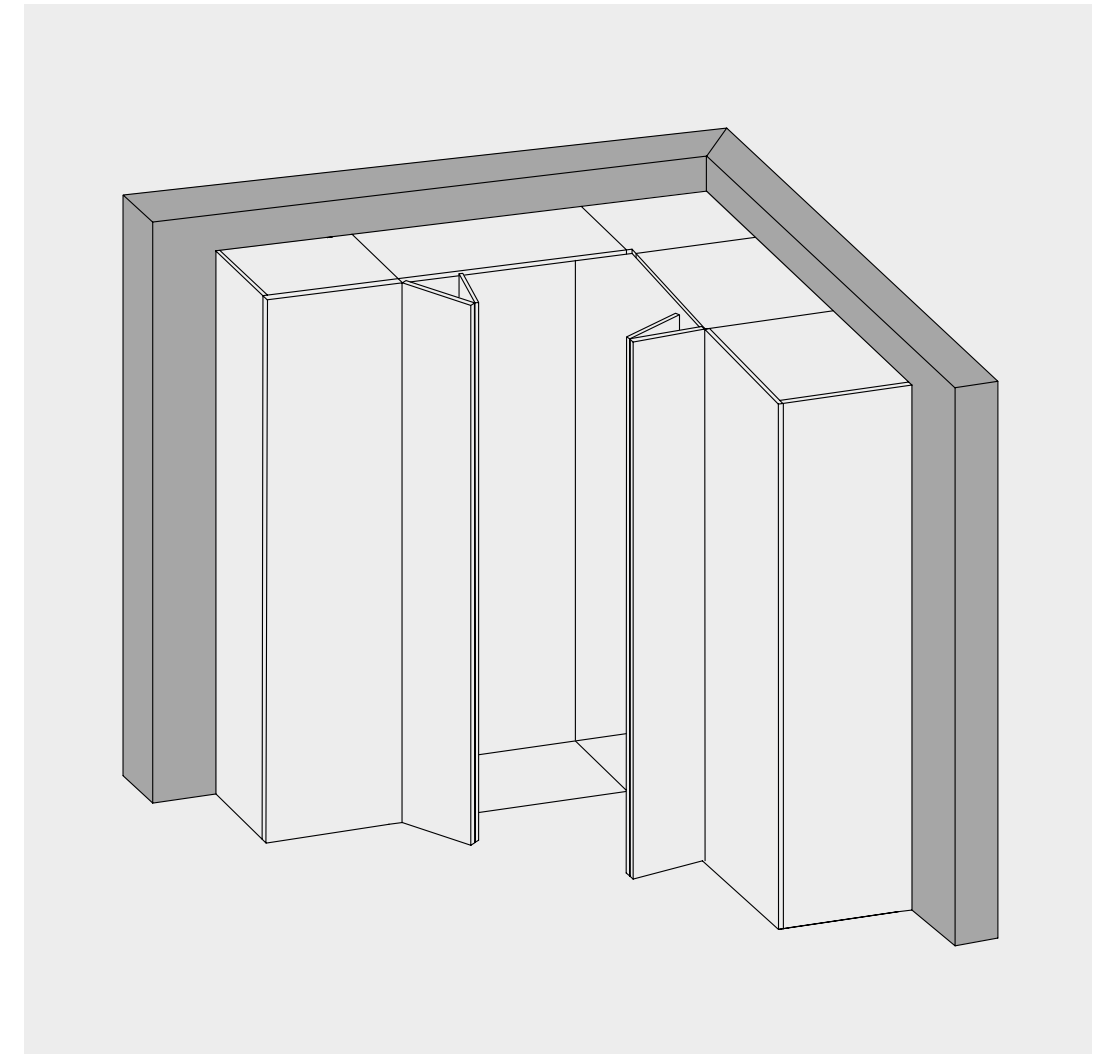
### Corner element

for optimum use of storage space right into the corner.

The supporting tube is lacquered in the colour of the interior.

Insert shelves and clothes rails are available for this corner element.  
PL page 62

Side length: 66.4 x 66.4 cm  
Height: 231 / 243 / 267 cm



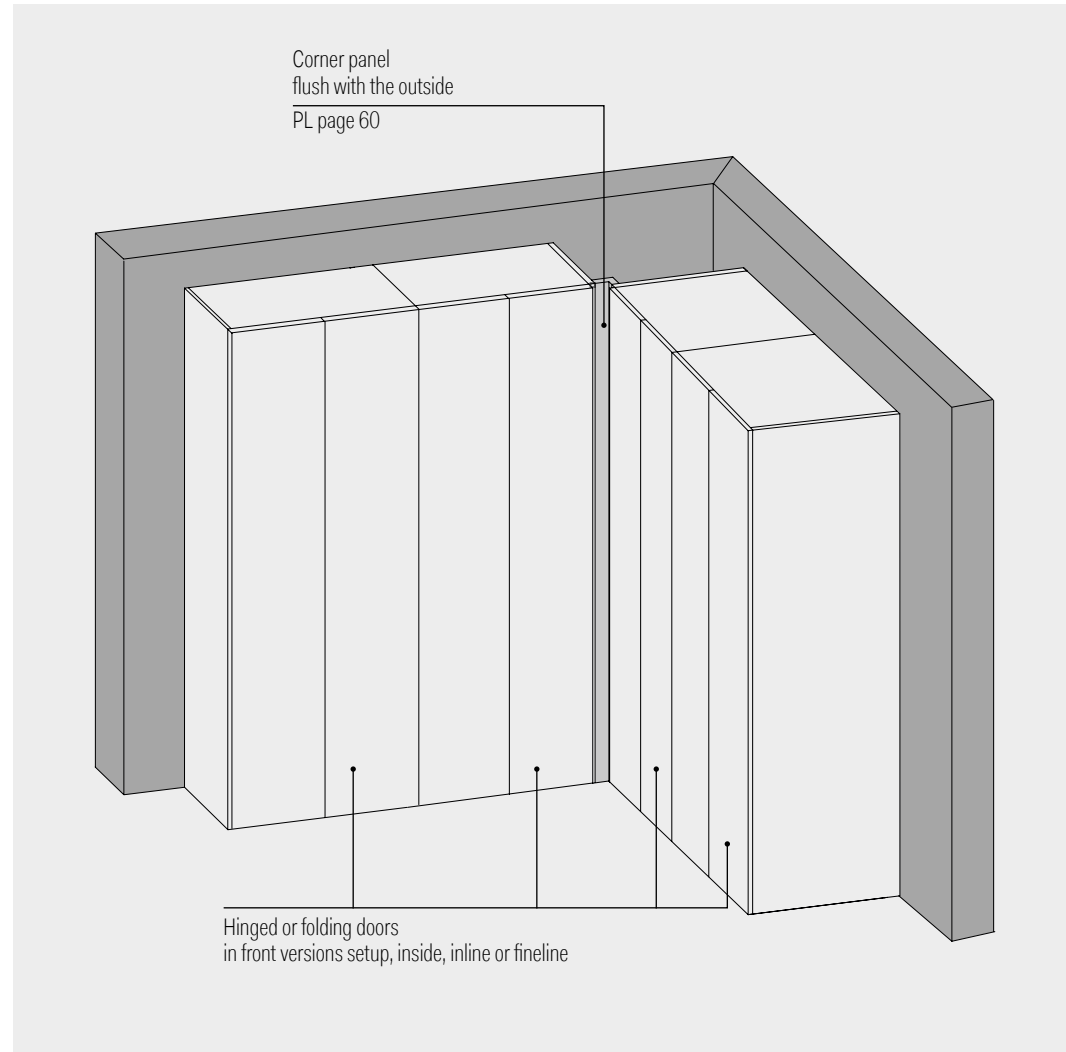
### Individual corner solutions

#### Making optimum use of the room

When planning collect plus corner combinations, you can choose from three different corner solutions. Choose between corner solutions with wardrobe elements, corner panels or front panels with spacer strips.

# Corner solution with corner panel for hinged and folding doors

For the front versions setup and fineline



## Corner panel

The corner panel is flush with the outside. The front projects by 2.9 cm.

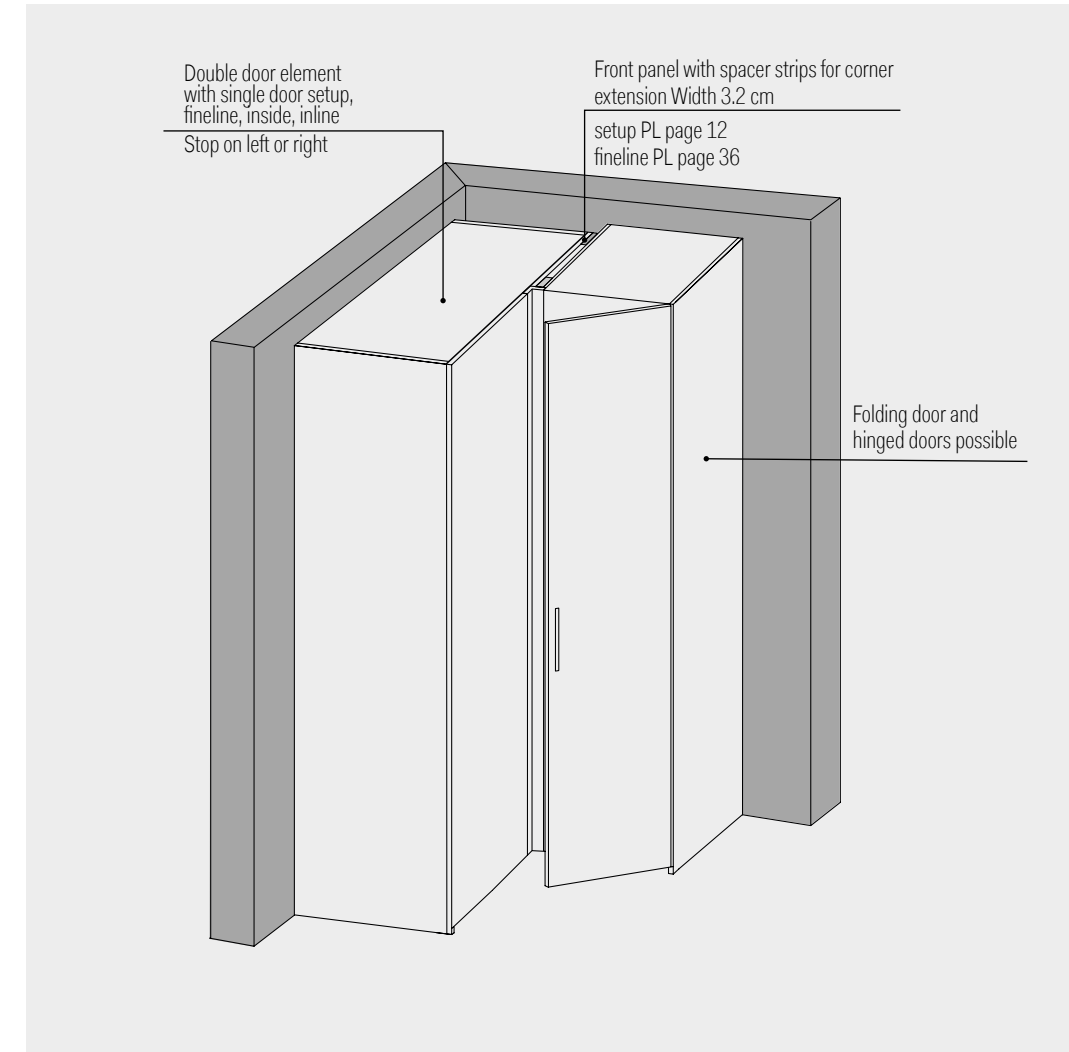
Planning dimension for wardrobe depth 66 cm = 70 cm

Planning dimension for wardrobe depth 50 cm = 54 cm

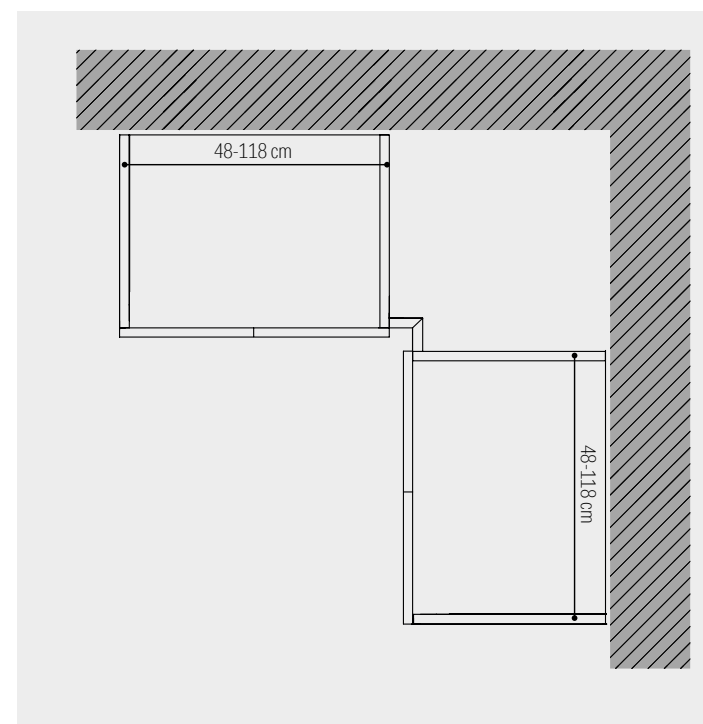
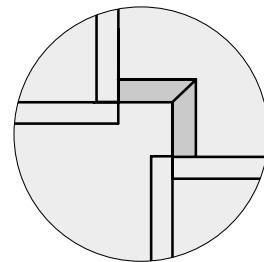
Planning dimension for wardrobe depth 35 cm = 39 cm

# Corner solution with front panel and spacing strips for hinged and folding doors

For the front versions setup and fineline

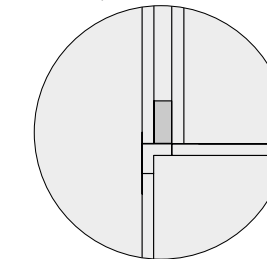


## Corner design detail

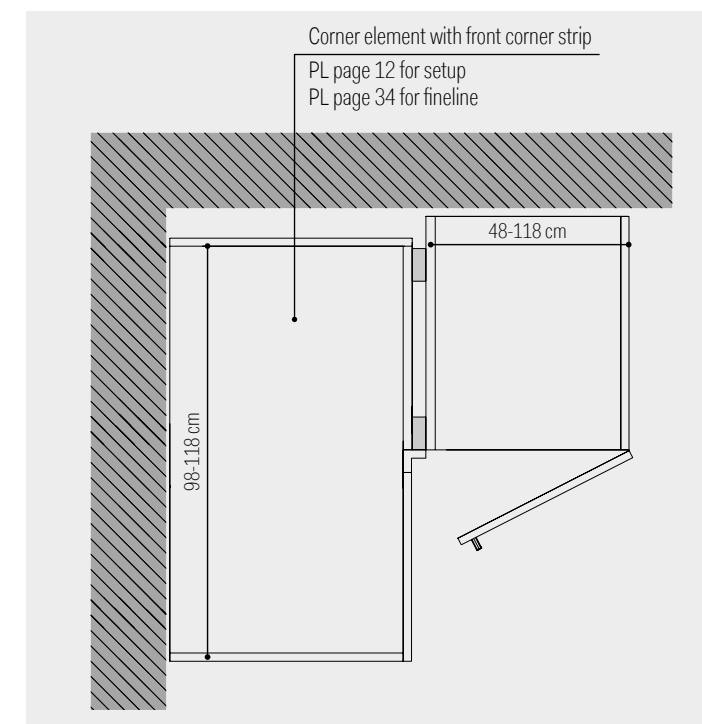
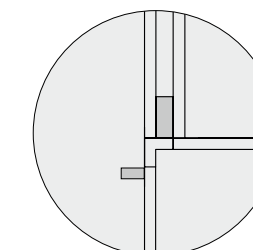


## Corner design detail

Door stop in middle or on outside



Door stop in carcass in centre of wardrobe element



## Side panels



Side panels are a key design element for non built-in wardrobes. Planning side panels enables outer walls to be covered across the full wardrobe depth. The side panels permit a colour and material mix distinct from the wardrobe elements. Side panels are available for design in matt lacquer 0.7 / 1.3 / 2.0 or wood in thicknesses of 1.4 / 2.1 cm. Side panels made of wood feature a vertical veneer.

Side panels cannot be planned for sliding doors.

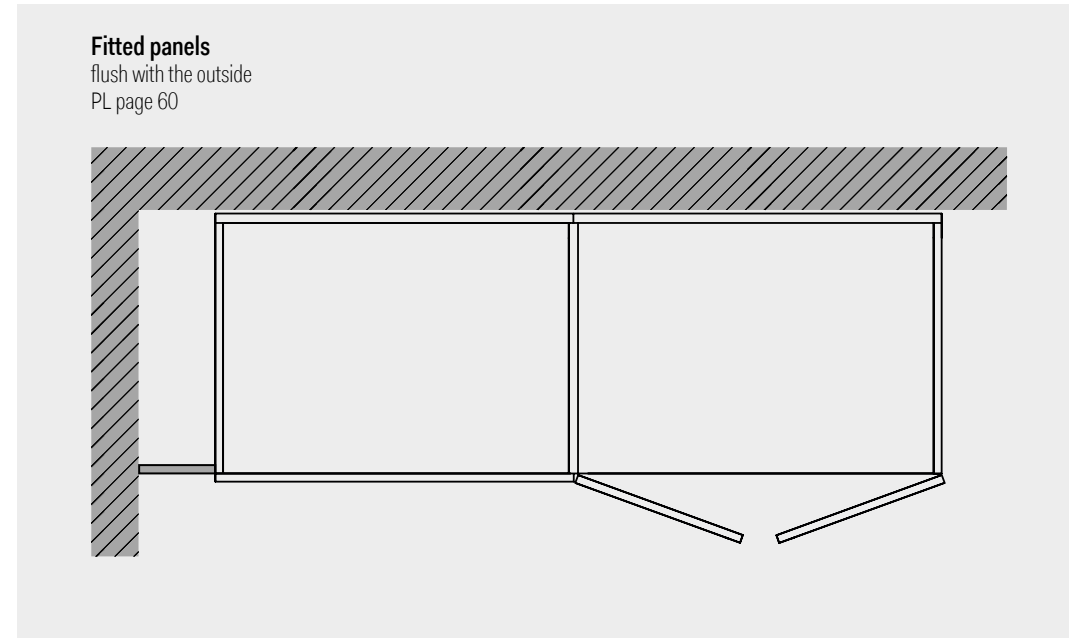
Front version inline L on the first and/or last hinged door with outward opening requires side panels.

Side panels can also be used with room dividers.

Dimensionally compensated side panels (PL page 60) in depth 76 cm for on-site adjustment, e.g. skirting boards. Dimensionally compensated side panels not available in 0.7 mm thickness

When combined with cover panels (PL page 72), an all-round passe-partout look can be achieved.

## Fitted panels

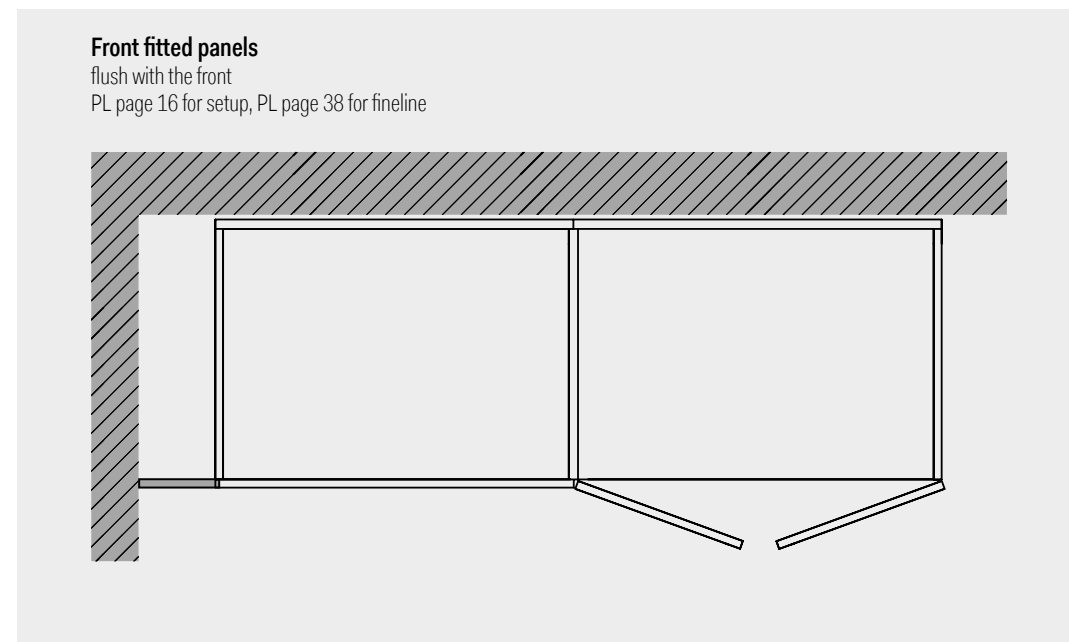


**Fitted panels**  
flush with the outside  
PL page 60

For adjustment on site:

**Fitted panels**  
(PL page 60) flush with the outside in lacquer or wood. Available in widths of 26 and 65.5 cm. Secured on site by screwing to side of wardrobe.

Fitted panels available in all heights.



**Front fitted panels**  
flush with the front  
PL page 16 for setup, PL page 38 for fineline

**Front fitted panel with plinth**  
(PL page 16) Fitted along the front of the wardrobe. Available in widths of 26 cm and 65.5 cm and in all heights, in matt lacquer and wood.

Front fitted panel setup without handle (PL page 16).

Front fitted panel fineline on one side with fineline profile (PL page 38).

Fitting aids included in delivery enable exact application of the wall contour to the front fitted panel.



# Room dividers and doorways



Room divider and doorway with folding door

When planning collect plus as a room divider, you can select wardrobe elements for hinged or folding doors as well as display cabinets with standard back panels.

Order room divider back panels in the front versions setup without handle (PL page 16) and fineline (PL page 38) for the backs of the elements. Room divider back panels are not operable.

Doorway with folding door (PL page 10 setup, PL page 34 fineline) The doorway can also be planned for room divider wardrobes.

Minimum distance from ceiling is 2 cm, concealed ceiling attachment included. As an alternative, minimum securing to one wall is necessary.

Room divider back panel

PL page 16 setup  
PL page 38 fineline

Hinged door

PL page 12 setup  
PL page 36 fineline

Wardrobe element for folding door

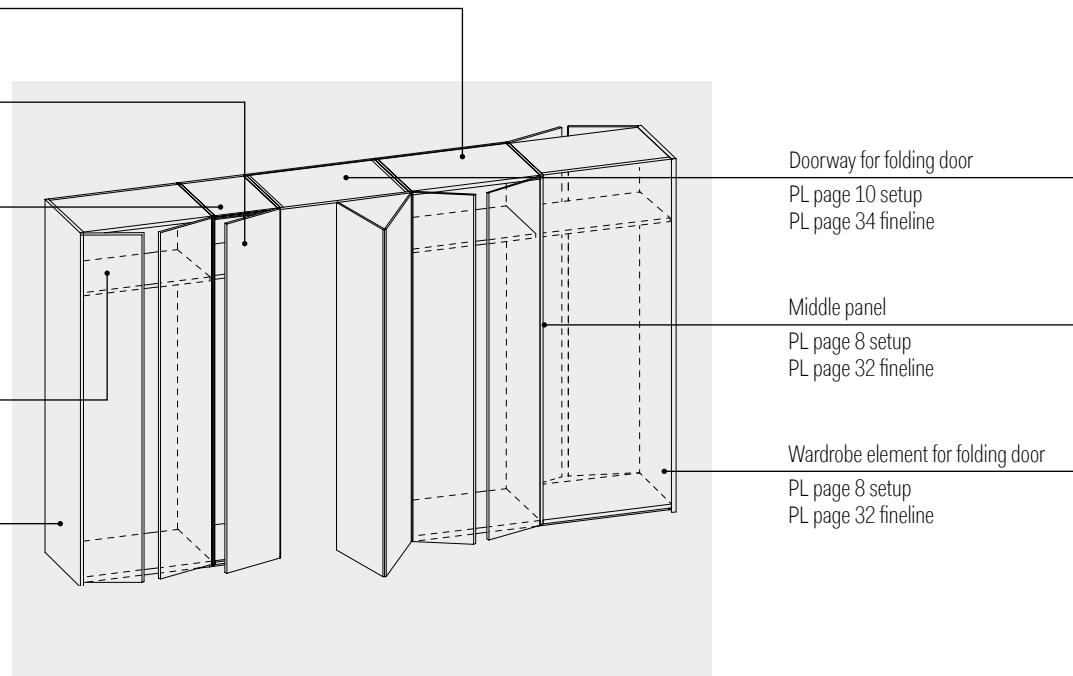
PL page 8 setup  
PL page 32 fineline

Structural shelf

PL page 8 setup

Outer panel

PL page 8 setup  
PL page 32 fineline



Doorway for folding door

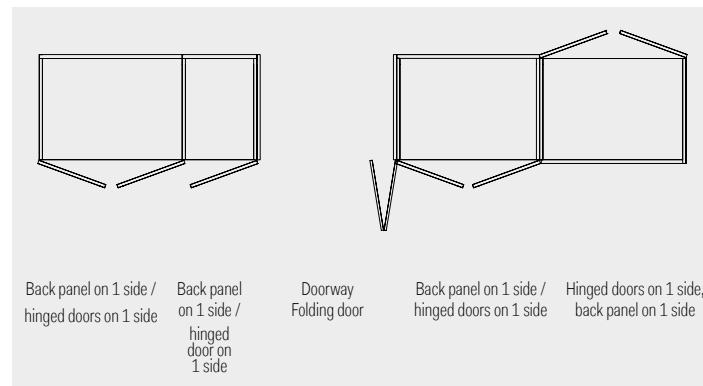
PL page 10 setup  
PL page 34 fineline

Middle panel

PL page 8 setup  
PL page 32 fineline

Wardrobe element for folding door

PL page 8 setup  
PL page 32 fineline



Back panel on 1 side /  
hinged doors on 1 side

Back panel  
on 1 side /  
hinged  
door on  
1 side

Doorway  
Folding door

Back panel on 1 side /  
hinged doors on 1 side

Hinged doors on 1 side,  
back panel on 1 side

# Shelf systems



Minimum distance from ceiling: 2.5 cm  
Securing to the ceiling or wall must be performed on site.

## Shelf systems

Shelf systems comprise outside and middle walls and are not technically connected to the wardrobe. Shelf systems can be planned between or beside wardrobe elements or as standalone elements.

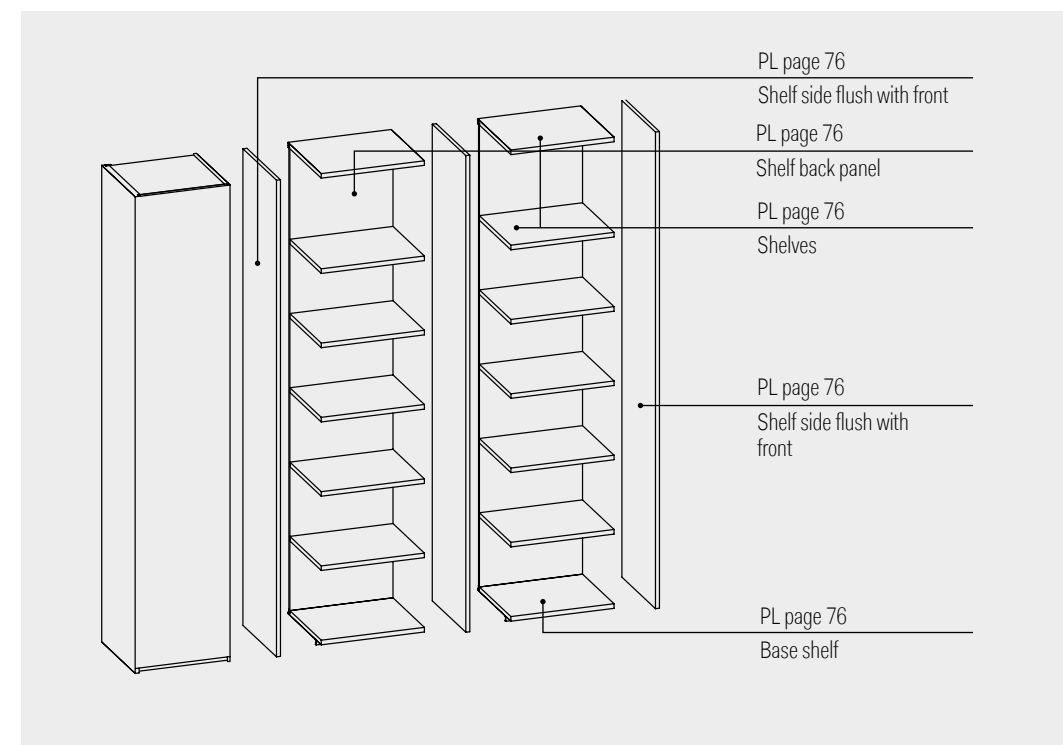
Shelf systems must always be planned with back panels (PL page 76).

A base is necessary underneath the shelf system.

Shelf/base shelf width and back panel:	48 / 58 cm + 2 cm per shelf side
Height:	231 / 243 / 267 / 297 cm
Depth, flush with front:	35 / 50 / 66 cm
Interior depths:	26.9 / 41.9 / 41.9 cm



Shelf walls flush with front (planning width 2 cm) between the wardrobe element and an open element are automatically fitted with a drill-hole row with a distance of 17.5 cm apart for fitting shelves. Other hole positions are possible at an extra charge.



PL page 76

Shelf side flush with front

PL page 76

Shelf back panel

PL page 76

Shelves

PL page 76

Shelf side flush with  
front

PL page 76

Base shelf

## Interior compartments



The interlücke perforated rails in the wardrobe interiors are truly unique. The perforated rails are available in white, shell and anthracite and are assigned according to the interior colour ordered.

Integrated flush with the surface, perforated rails are subtly low-key. Even the base supports are integrated flush in the insert shelves. All interior dividers are secured to the perforated rails. For optimal use of storage space, the interior compartments can be adjusted in height and retrofitted at any time and without incurring any damage thanks to these perforated rails.

They can be adjusted by 2.5 cm.  
Insert shelf (PL page 62)  
for all widths and heights, max.load 34 kg

The transparent floor protection mat is available for wardrobes with a depth of 66 cm (PL page 64).

Glass shelves in clear glass are available for depths of 35 cm and 50 cm and all widths, max. load 10 kg (PL page 64).



Pull-out shelf (PL page 62)  
Height 10 cm for all widths and depth 66 cm

Shoe rack (PL page 64)  
can be positioned freely on insert shelves and pull-out shelves. Two shoe racks are recommended for shoe lengths up to 26 cm length, one for longer shoes.

Interior mirror for hinged doors measuring 35 x 160 cm (PL page 68)

## Interior compartments



Bronzed clothes lift with handle for lowering, max. load 10 kg

Clothes rail in stainless steel colour, for securing to sides of wardrobes, max. load 36 kg

Clothes rail in stainless steel colour attached to insert shelf, max. load 36 kg  
Fitted vertically under insert shelf for wardrobe depths of 35 cm and 50 cm

Clothes rail in stainless steel colour, extensible, attached to insert shelf, max. load 36 kg

## Interior compartments



Interior drawers are available in three heights (10, 20 and 30 cm), all widths and depths of 50 cm and 66 cm.

Exclusively available from interlücke, the interior drawers have aluminium sides merely 0.4 cm thick in warm cashmere grey. Max. load 27 kg

Drawer fronts are available in matt lacquer, veneer and clear glass and can be combined. Drawer fronts in clear glass feature glass in a panel 5 cm high in matt lacquer or veneer.

Interior drawers have lacquered handles in the colour of the front as standard or are push-to-open. Glass fronts are always push-to-open.

Interior drawers are secured to the perforated rails using spacers which means they can be adjusted in height and retrofitted as required. The recessed spacers used here ensure a particularly elegant look. Drawer combinations are supplied with continuous spacers.



A cover panel is required above the top drawer.

PL page 66



### Interior dividers for drawers

The drawer inserts are made of elegant, anthracite-coloured semi-leather with fine trims, formally matching the drawer sides that are only 0.4 cm thick. Choose between three variants, ideal for rings, necklaces or even cutlery. Insert mats with a velvety surface provide a secure hold in the drawer. Thanks to the clever anti-slip technology, interior dividers can be positioned freely on the velvety insert panel, whether vertically for a depth of 66 cm or horizontally for a depth of 50 cm (PL page 68).



## Dividing walls



Wardrobe elements are divided using dividing walls.

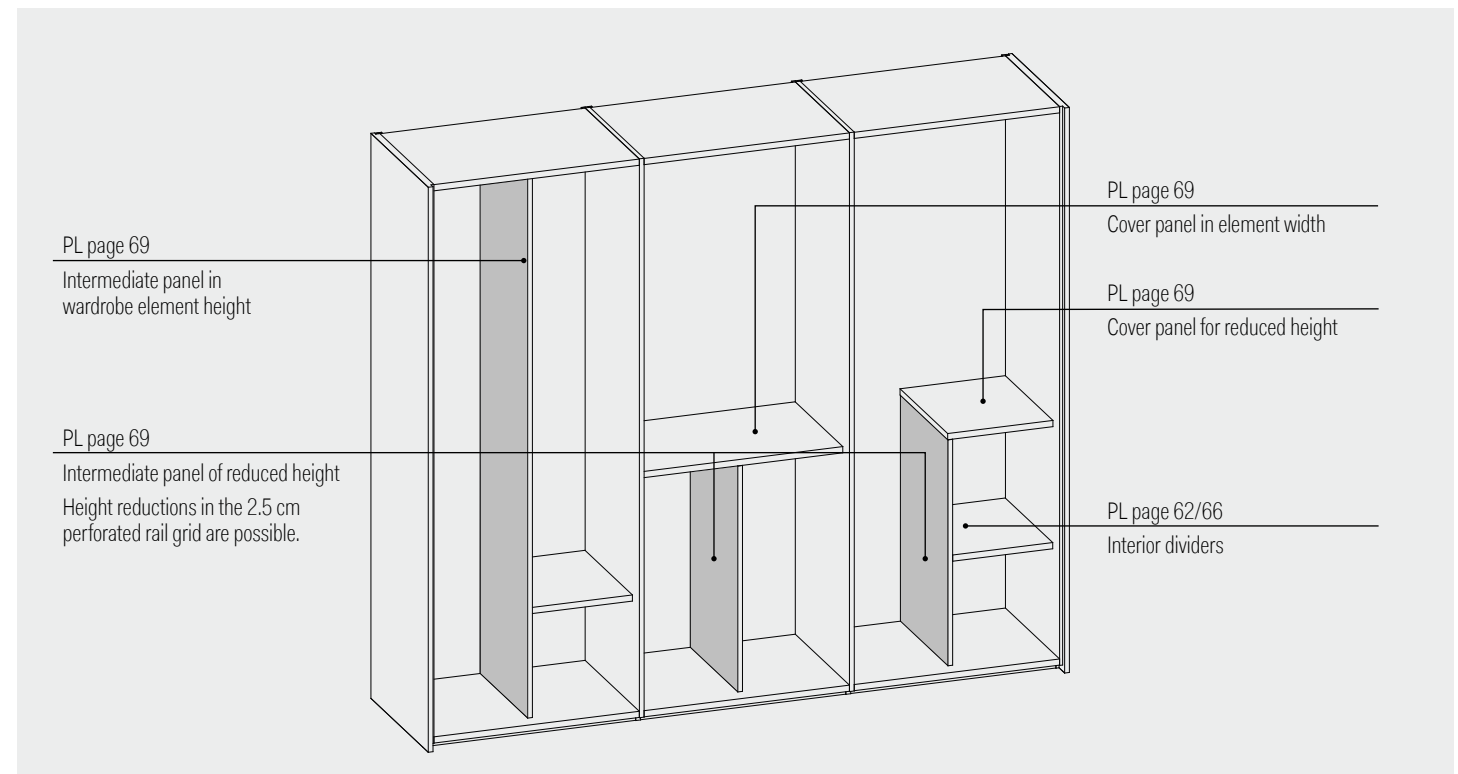
1. Dividing walls of same height as wardrobe element
2. Shorter dividing walls within the 2.5 cm perforated rail grid

Cover panel the same width as the wardrobe element above dividing walls in reduced height

Cover panel the width of the compartment (one side) above dividing walls in reduced height

Dividing walls can only be planned for wardrobe depths of 66 cm. Please indicate the position inside the wardrobe. Dividing walls cannot be fitted at a later stage.

Dividing walls cannot be used for display cabinets.





# Interior lighting for wardrobe elements and display cabinets



Exclusive interlübke interior lighting can be planned for display cabinets, closed cabinets with hinged and folding doors, and wardrobes with sliding doors (PL page 70).

The LED lighting is integrated into the front edge of the wardrobe walls in aluminium profiles that are painted in the colour of the wardrobe walls and are visually discreet. The light radiates evenly and glare-free inwards over the entire height of the cabinet and illuminates the interior evenly. This does not impair the position of the interior dividers.

The LED lighting can be chosen individually for each wardrobe element or display cabinet.

Due to the width of the double door and sliding door elements, we recommend planning interior lighting on both walls.

The light is activated by opening the hinged, folding and sliding doors or using the remote control for display cabinets and open wardrobe elements.

Power consumption of the LED lighting between 10 and 25 watts depending on the cabinet height (PL page 70).

Power supply sets (PL page 70) are required for the power supply.

Please plan as follows:

Basic set with power supply for each additional element.

Extension set without power supply for each additional element.

Extension set with power supply if power requirements > 72 watts.

## Lighting control - SmartHome-compatible

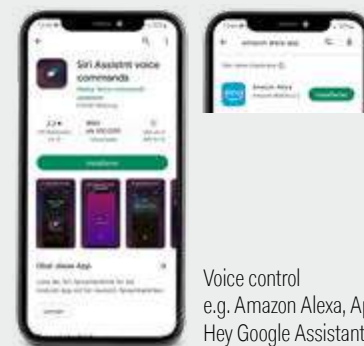
You can set the desired brightness and colour temperature via the remote control or via SmartHome (ZigBee), i.e. via app or voice control.



interlübke remote control  
SmartHome-compatible



App on smartphone/tablet  
(e.g. Philips HUE app)



Voice control  
e.g. Amazon Alexa, Apple Siri,  
Hey Google Assistant ...



## Display cabinets

## Display cabinets with interior back panels



Display cabinets are available in matt lacquer or wood.

In display cabinets with back panels, glass shelves are inserted into the functional grooves on the back panel. Select the corresponding back panel for the display cabinet module (PL page 44-47).

Depending on the height of the display cabinet, 5 (231 and 243 cm heights) or 6 (267 cm height) functional grooves can be fitted with glass shelves. In the case of modules with drawers, they are fitted in the lowest functional groove.

The back panels made of wood feature a vertical veneer.

Display cabinets with back panels cannot be planned as room dividers.



The clear glass shelves in 0.8 cm thickness are inserted into the functional grooves of the back panels (PL page 46).

### Planning with display cabinets

#### Purist look without visible door hinges

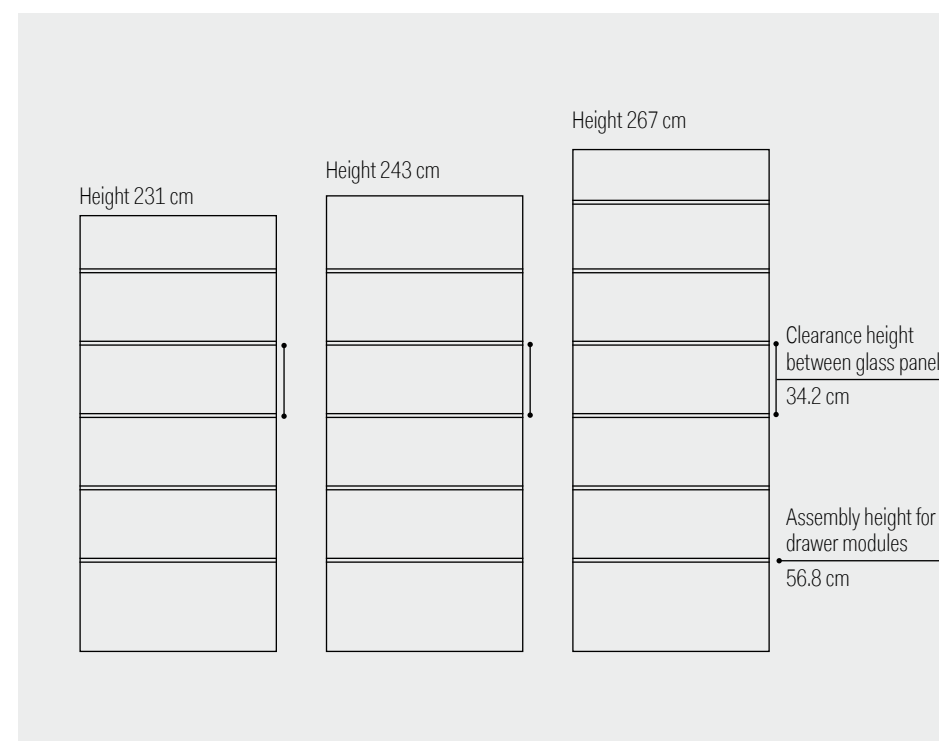
collect plus display cabinets are ready-made modular elements, each with their own outside walls.

The display cabinet modules can be planned in heights of 231, 243, 267 cm, and in all widths. Depths of 50 and 66 cm are available, with interior depths always 39.3 cm.

The all-round aluminium profile 1.5 mm in thickness on display cabinet doors is available in all interlücke matt lacquer colours. Glass designs include grey glass, translucent glass and clear glass.

The contact area of the aluminium profile on the glass front is available in interlücke matt lacquer colours (no metallic finish) for the clear glass variant. Cashmere grey is used for the grey glass variant and greige lacquer for translucent glass.

Lighting must be ordered separately (PL page 70/71).



Display cabinets with drawers are offered in four heights and all widths (PL page 48). The drawer fronts are always handleless.

The assembly height for drawer modules is always the lowest groove in the back panel at a height of 56.8 cm.

Drawer modules are securely fitted to the back panel and cannot be moved.

The carcass of the modules is available in all matt lacquers. As standard, the top cover panel is also lacquered in the selected colour. This is behind the top drawer front.

## Display cabinets with standard back panels



The display cabinets are available in matt lacquer.

Display cabinets with standard back panels can be planned with all interior compartments (PL page 62).

For a **purist look**, the sides of display cabinets do not feature perforated rails, but bore holes. For this purpose, metal sleeves are drilled in at the desired positions and the shelf supports are fixed using grub screws. Important information when planning: Please provide us with the exact desired positions of interior dividers, as subsequent changes are not possible to the interior dividers. Alternative: For **maximum flexibility**, you can order display cabinets with perforated rails.

Interior fittings and accessories can be found on PL page 52-57.



Recess with 1.5 mm thick frame consisting of cover panel behind the front and bottom panel (PL page 72) under superstructure as well as visible cabinet outer walls.



Recess with 1.9 cm thick side panels (PL page 58), cover panel (PL page 72) and bottom panel. LED recessed spotlights with an output of 2 watts can be planned individually (PL page 71)

## Cosy design with recesses and superstructures

The recesses in the collect plus line are as much a design element as a presentation option.

Recesses can be planned in the width of the cabinet element or up to a maximum width of up to 302 cm between two cabinet elements. You can also use the recess panels (PL page 74) vertically or horizontally.

In the wood version, the veneer course corresponds to the orientation of the panel. Bottom panels and cover panels (PL pages 72/73) can be ordered flush with or behind the front. Planned flush with the front and in combination with side panels (PL page 58) creates an attractive optical frame. You can choose the depth of the recess on the basis of the cabinet front. Please note that the recess panels protrude 9.5 cm due to the design.

A support structure is automatically included with the recess panels and does not need to be planned separately. Lighting must be ordered separately (see PL pages 70/71).

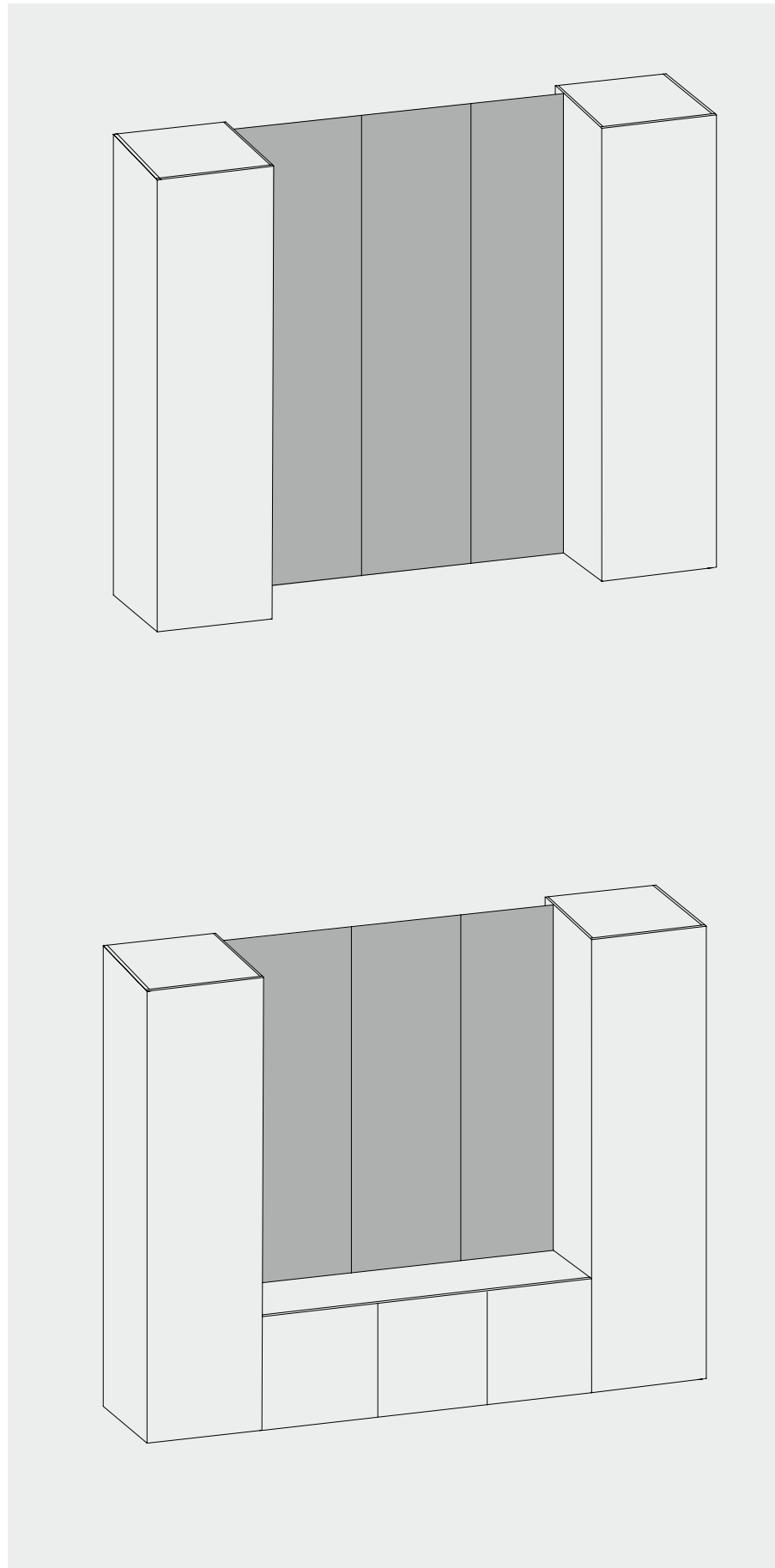


Recess panels are suitable for mounting TV sets without a swivel arm. Cable management on PL page 88.



Recess panels in wood vertical or up to a height of one metre with horizontal veneer course possible. Vertical recess panels are butted in element widths.

## Recess variants without overhead units



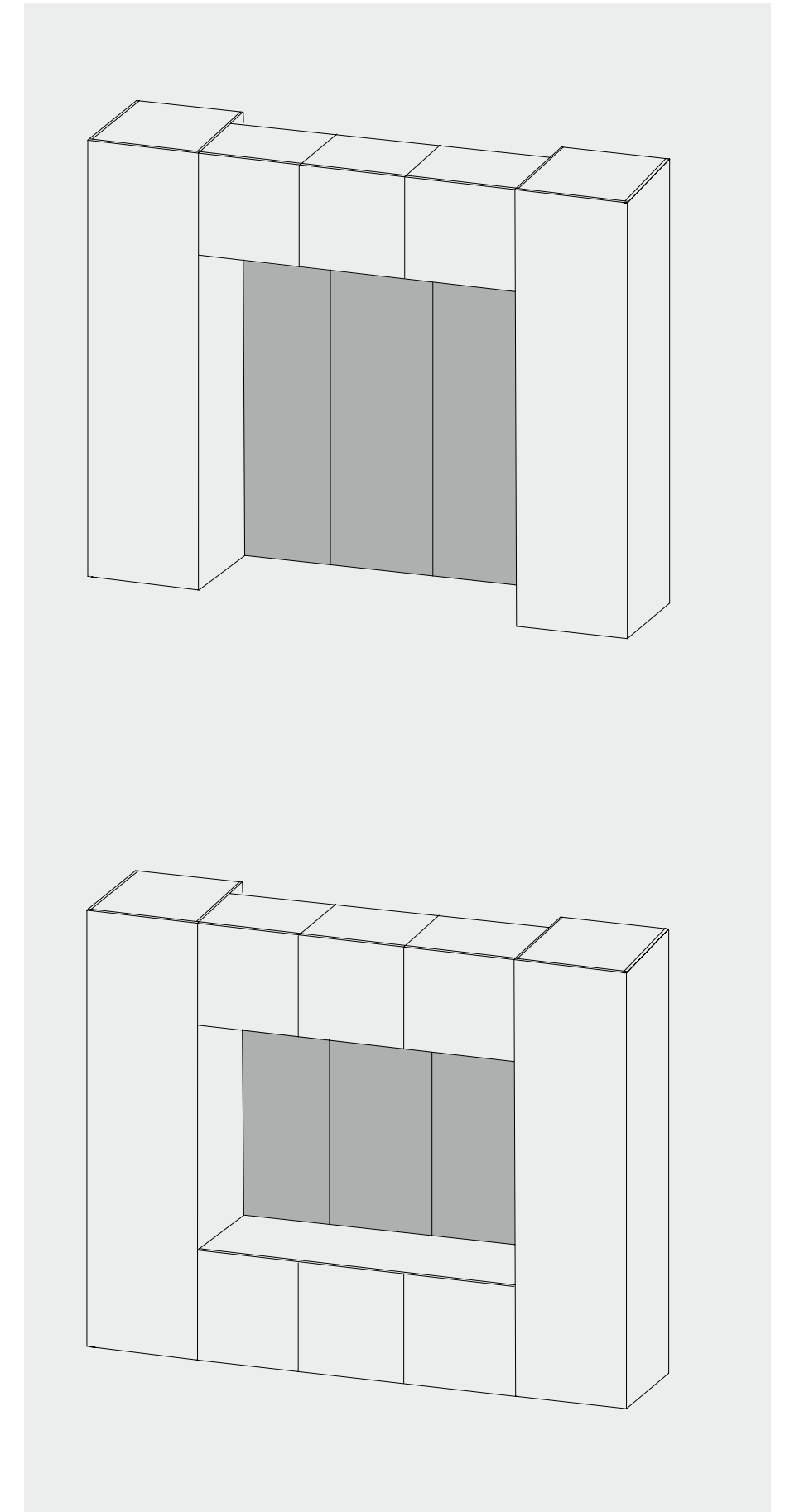
### Recess without wardrobe

Recess panels (PL page 74) can be planned in three wardrobe widths 48, 58 and 98 cm and heights of up to 267 cm.

### Recess with substructure

Substructure planned from height-reduced wardrobe units with common cover panel can be planned flush with the front or behind the front.

## Recess variants with overhead units



### Recess variant with overhead units

For a superstructure, plan overhead elements (PL page 8 or 20) at a height of 126.9 cm. Overhead elements must have a minimum height of 60 cm. The maximum depth of the overhead units is 50 cm without support structure (PL page 73). The assembly position is always flush with the front.

When planning the first middle wall in the superstructure, a support structure (PL page 73) is always required.

To do this, plan a bottom panel – flush with the front or lying behind the front – and the recess panels underneath.

For optical and technical reasons, the following handles are not suitable for overhead units: setup handle profile M, inside handle profile M, inline handle profiles S and L, and front version fineline.

### Recess with overhead units and substructure

Substructure planned from height-reduced cabinet units with common cover panel can be planned flush with the front or behind the front.

For a superstructure, plan overhead elements (PL page 8 or 20) at a height of 126.9 cm. Overhead elements must have a minimum height of 60 cm. The maximum depth of the overhead units is 50 cm without support structure (PL page 73). The assembly position is always flush with the front.

When planning the first middle wall in the superstructure, a support structure (PL page 73) is always required.

To do this, plan a bottom panel – flush with the front or lying behind the front – and the recess panels underneath.

For optical and technical reasons, the following handles are not suitable for overhead units: setup handle profile M, inside handle profile M, inline handle profiles S and L, and front version fineline.



# Sideboards

with the front versions setup, inside and inline

# Sideboards

with the front versions setup, inside and inline



## Sideboards

When designing with different height combinations, you can plan a cover panel lying behind the front or lying on top for the shortened units.

The cover panels are available in thickness 0.6 cm in matt lacquer and 1.2/1.9 cm in matt lacquer and wood veneer. Drawers can be planned individually for the front design.

## collect plus as a sideboard

### As a solitary sideboard or height combination

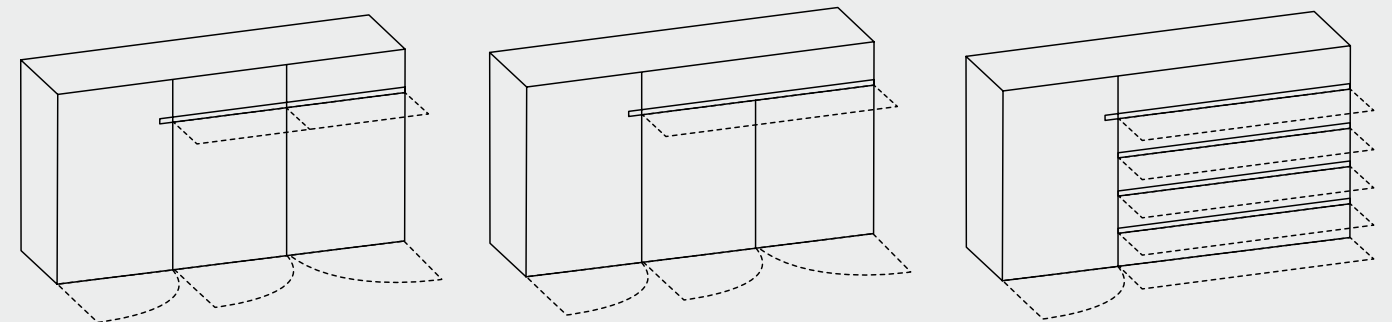
The sideboard height 122.2 cm (PL page 8 / 20 / 26) for individual design with hinged doors, drawers or a combination of both.

Plan a cover panel as the top finish (PL page 72).

Alternative sideboard heights in the 20 cm grid are available free of charge.

Please use a cabinet height of 231 cm for planning highboards.

## Possible front design of sideboards with inline





## Wall panels for designing dressing areas and open systems

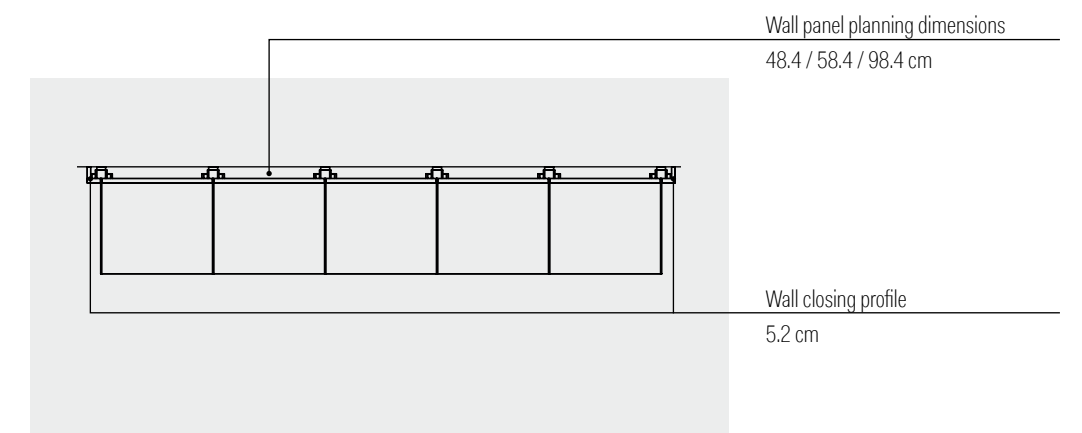
### Calm, clear, consistent design for a coherent overall image

Aluminium profiles secured to the wall on site form the constructive basis for the wall panels, and are included in the price of the wall panels. These aluminium profiles support the wall panels (PL page 78) and the support arms (PL page 80) in two depths, and support collect plus wall panel interior dividers (PL pages 80/84) in depths 37.3/ 53.3 cm. Planning depth is 6 cm plus the depth of the interior dividers. The support arms can also be adjusted in height at a later stage using the 2.5 cm grid.

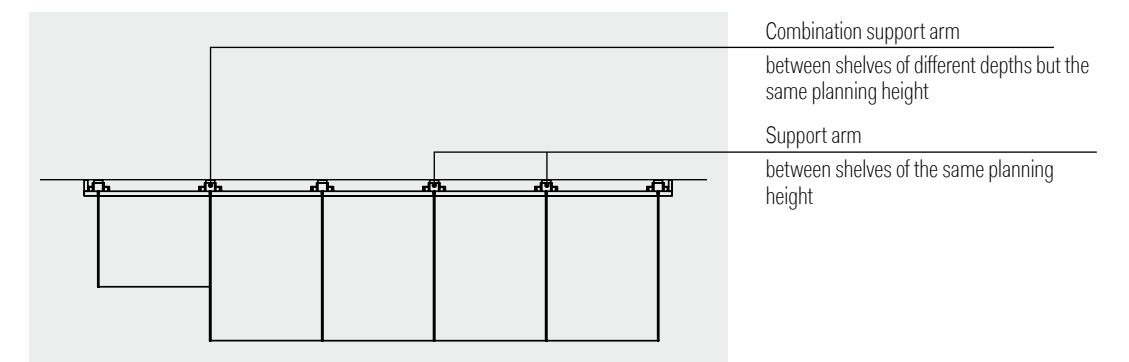
Plan the 48.4 / 58.4 or 98.4 cm wide wall panels in heights of 231 / 243 or 267 cm. Choose between all matt lacquers, mirror or wood for the wall panels.

As a finish on the left and right side, you will need a closing profile with a width of 5.2 cm each. Alternatively, the wall panel end panel for dimensional compensation.

As a lower finish, the wall panel plinth can be planned at a depth of 41 and 57 cm.



Shelves or wall modules of the same planning height only need one support arm between them. Two support arms are required for different planning heights. You will require combination support arms where the planning height is the same but the shelves have different depths.





Wall panel shelf,  
max. load 36 kg  
PL page 80

Wall panel shelf with clothes rail  
Max. load 36 kg  
PL page 80

Wall panel light shelf  
with clear glass and clothes rail  
Max. load 36 kg  
PL page 80

Wall panel light shelf with clear glass  
Max. load 20 kg  
PL page 80

### Interior dividers and modules for planning with wall panels

Shelves with and without clothes rail, LED light shelves and wall panel modules can always be rearranged on the wall panels, even retrospectively. They are hooked into the vertical rails by means of support arms, which lie invisibly between the wall panels.



Closing profile 5.2 cm wide  
PL page 78

Support arm in the vertical rail, PL page 84



### Suspended wall panel modules

Height: 20 / 40 / 60 / 80 cm  
Width: 48 / 58 / 98 cm  
Depth: 37.3 / 53.3 cm  
PL page 84  
Drawer fronts can be planned in three heights 10 / 20 / 30 cm in matt lacquer or wood front and clear glass. Clear glass fronts push-to-open only. Matt lacquer and wood front also with lacquered handle. Module top panel flush behind top drawer for a purist overall image.  
PL page 86

As an alternative, modules can be planned on wall panel plinths or **standing** on the floor.



Wall panel light shelf with clear glass  
PL page 80

The wall panel light shelf with clear glass has an LED light strip integrated in the front frame profile at the back. The LED light shines evenly upwards and downwards from the rear and creates homogeneous illumination of the wall panels.

Power consumption of the LED lighting between 4 and 8.5 watts depending on the shelf width (PL page 80).

The light shelves are powered wirelessly, which ensures that they can be adjusted subsequently.



### Innovative invisible and wireless power supply of light shelves

The power supply to the light shelves is invisible and wireless via the support arms by means of a contact surface integrated in them. The mounting position of the light shelves can be changed at any time, even at a later date.

Power supply sets (PL page 70) are required for the power supply.

Please plan as follows:  
Basic set with power supply for each first element. Extension set without power supply for each additional element. Extension set with power supply if power requirements > 72 watts.

Plan the power source on site behind or above the wall panel.



Pleated panels

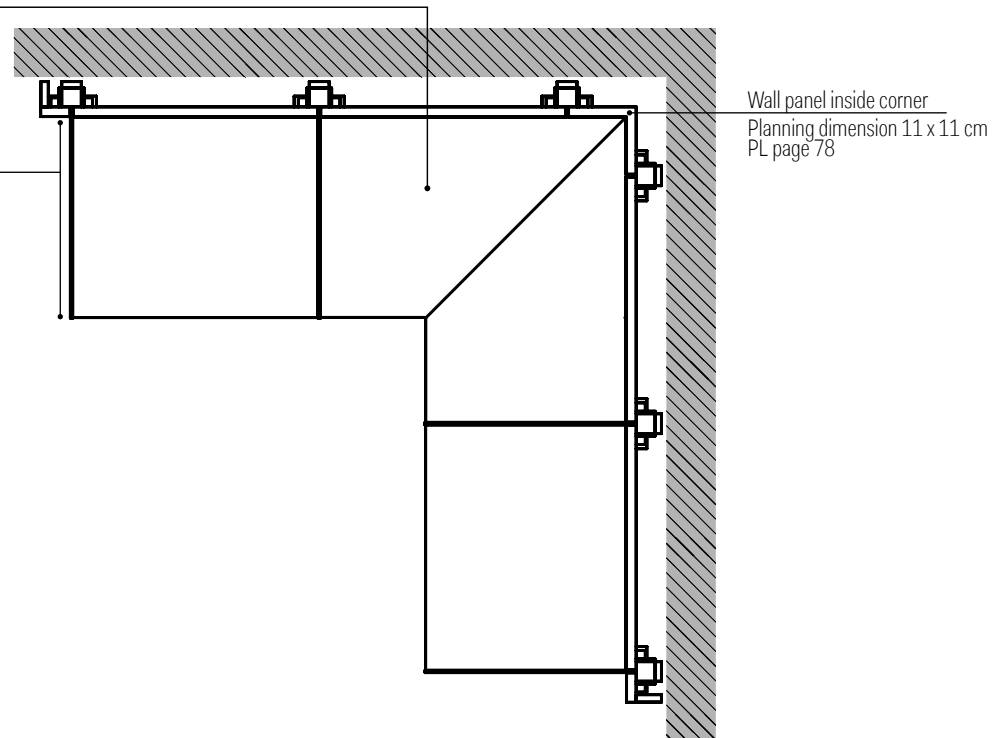
For drawers under glass panels. Pulling open the top drawer is accompanied by a pleated panel at the back. This prevents a view of the contents and the drawer technology underneath it. On request.

# Wall panels

## Corner solutions and plinths

Wall panel corner shelves with optional clothes rail  
48.4 / 58.4 / 98.4 cm plus 4.8 cm each for corner panel.  
PL page 80

Shelf depths  
37.3 / 53.3 cm



**Plinth**  
as running metre

maximum length:  
305.5 cm in matt lacquer  
290 cm in wood

Integrated height-adjustable feet  
Modules can be positioned on the plinth.

Mitre cut possible for inside corners

Plinth depths  
41 cm and 57 cm for fitting to cabinet depths of 50 and 66 cm.

PL page 82  
Wall panel plinth

# collect plus custom-made products

## Custom-made for any room.

The most common custom-made designs are listed in the price list on pages 89-91. These include shortening the wardrobe elements, wall panels and interior partitions. Many other custom-made products are available on request.



To adapt to sloping ceilings, we need you to provide us with the room height under the slope, the room depth of the slope, and the total room height. collect plus wardrobes can be adapted to slopes at the side or at the back.

No interior partitions are possible in the area of the slope.

## Planning overview for installation in sloping ceilings as special designs

Drawing required PL page 91  
Sloping sides only for wardrobe units with and without hinged doors in lacquer and wood

