

wandelbar

lilu

Winkelregal

Spiegel

Design: Christian Werner

lilu

The concept

Individual panel design and storage space in one

lilu suits every room, from the entrance hall, to the sitting room, to the kitchen, whether it is arranged on its own, above or adjacent to the sideboard or horizontal or vertical.

Whether in individual or stacked form, lilu is an invitation for individual design. And the key attribute: The flexible shelves can always be rearranged at a later date. This not only results in different visuals, but the shelves can also adapt to changed storage space requirements. They can also be moved around easily by hand.

The finely coordinated proportions of the shelves arise due to their lightness and elegance. Together with the new interlücke colour concept – the Colors of which can all be combined – three sizes of material thickness and elaborately bevelled edges allow for wall designs which have a relief character due to the stacking of the different shelf depths. The back-lighting – featuring dimming and colour temperature control – lends the shelves yet more depth.

The L shape not only sets beautiful things superbly in scene, it is also an eye-catcher without decoration.

lilu matches with all of the interlücke collections.

Design: Christian Werner



The features

lilu



Three types of shelf in three thicknesses with elaborately bevelled edges.



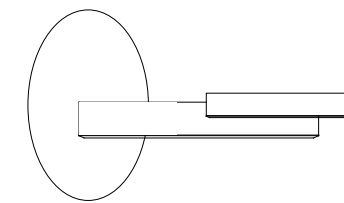
Lightness and elegance with offset depth for the relief-like appearance.

The features

lilu



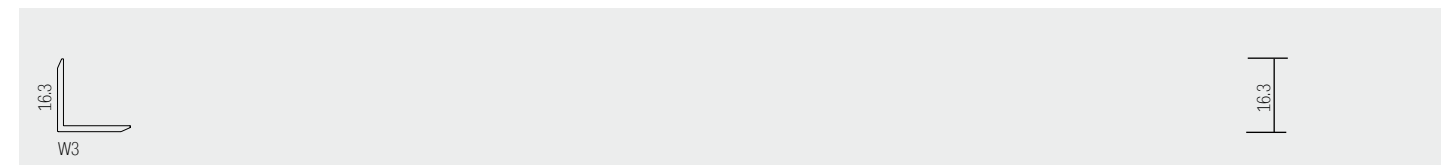
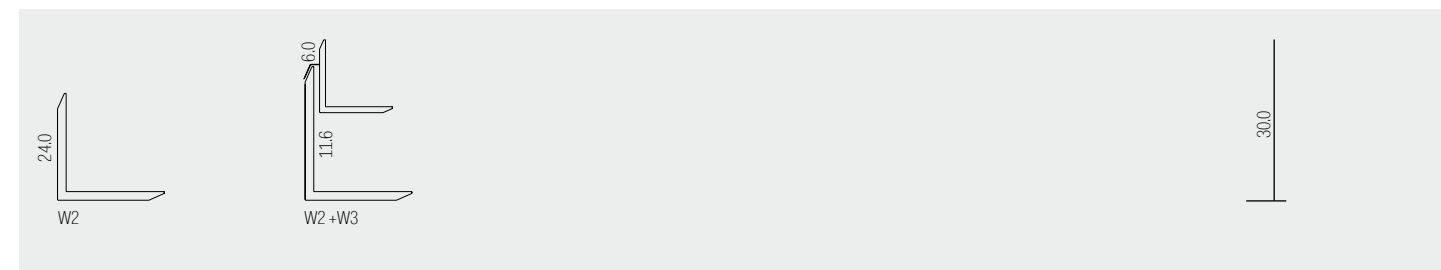
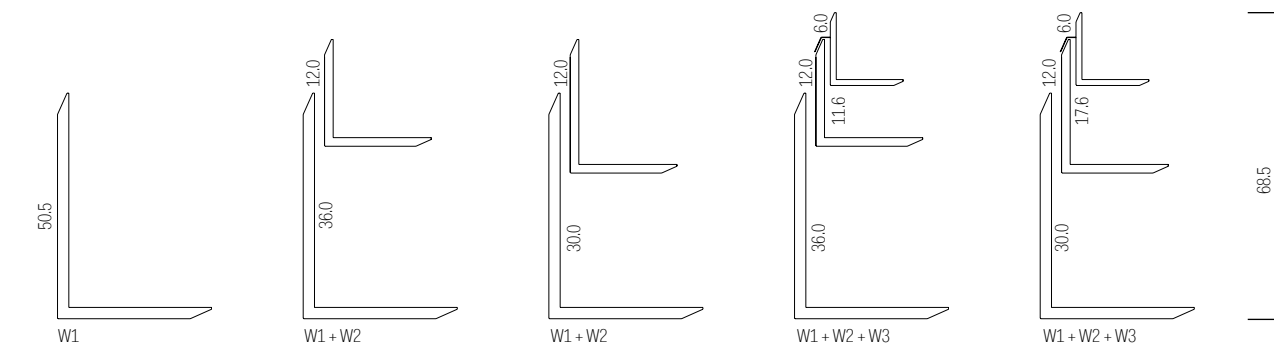
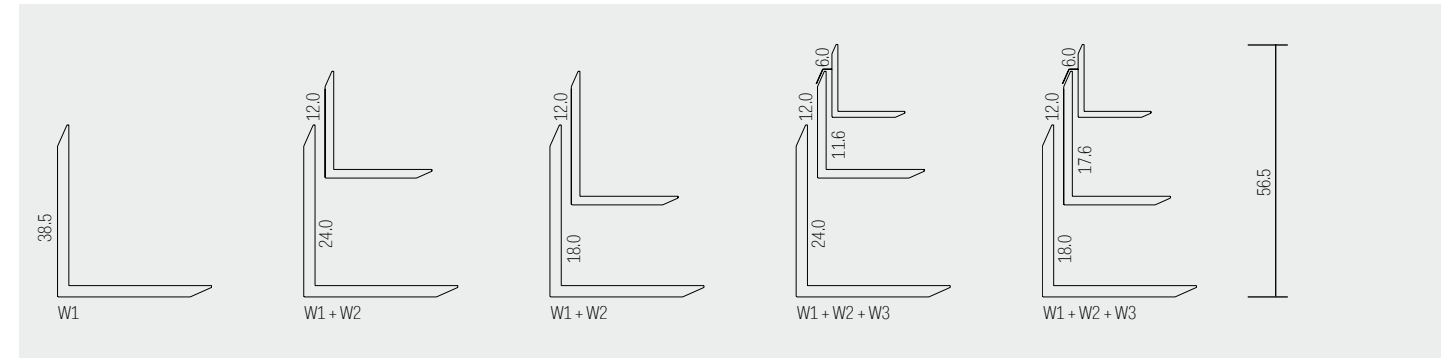
Dimming back-light with colour temperature control.



Sophisticated: with elegant black fabric cable with special angled plug for the current input as standard, if there is no cable outlet behind the shelf.

Planning and dimensions overview

possible shelf combinations of lilu

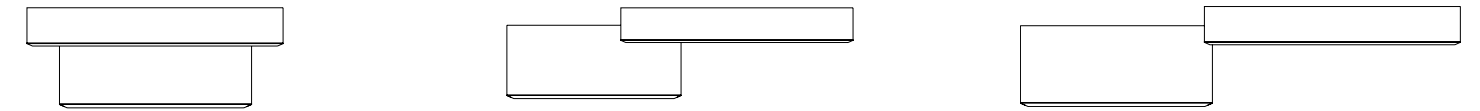


Planning and dimensions overview

Overhangs, movability of lilu

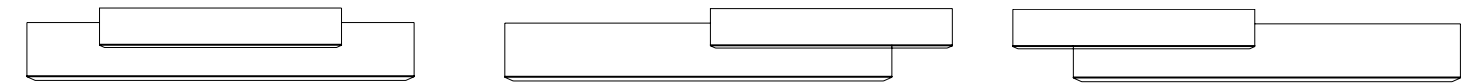
W2 in front of W1

- W2 can be wider than W1
- The overhang of W2 over W1 can be freely chosen



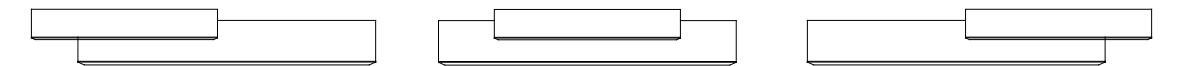
W3 in front of W2

- width $W2 \geq W3$ (W2 must be at least as wide as W3 or wider)
- max. 1/4 of the W3 width is able to exceed W2



Subsequent movability of the shelves to the left or right (dimensions in cm)

The flexible shelves can also be easily rearranged at a later date.



Shelf width in cm	W2 movable in front of W1 and in front of wall	W3 movable in front of wall	W3 movable in front of W2 = max. lateral overhang of W3 over W2
40	-	0	10.0
60	0	5.0	15.0
80	5.0	10.0	20.0
100	10.0	12.5	25.0
120	12.5	15.0	30.0
140	-	17.5	35.0
160	15.0	-	-
180	-	-	-
200	20.0	-	-
240	25.0	-	-

- max. lateral overhang is 1/4 of the width of W3
W3 may not be wider than W2

For special sizes, lateral overhang on request.